

X-ray Inspection System



High Resolution Dual Energy

SX2171MW / SX3671MW

NEW

XrayHawk

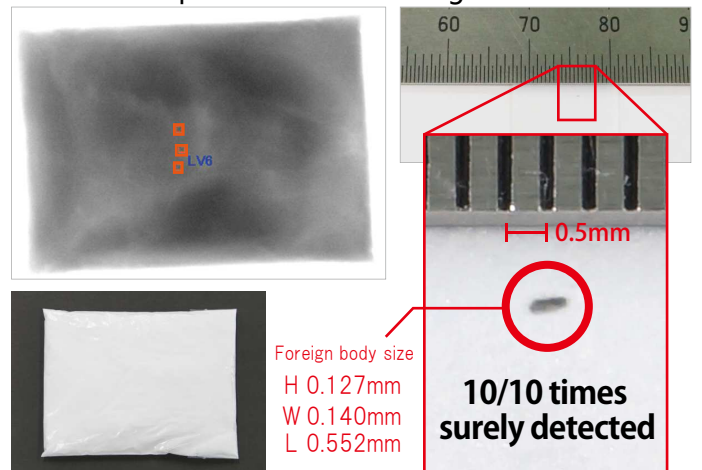


It can detect the foreign matter that cannot be detected by the conventional X-ray inspector

By conventional X-ray inspector
Beef-bowl ingredients



Item to be inspected Powder in bag Thickness 20mm



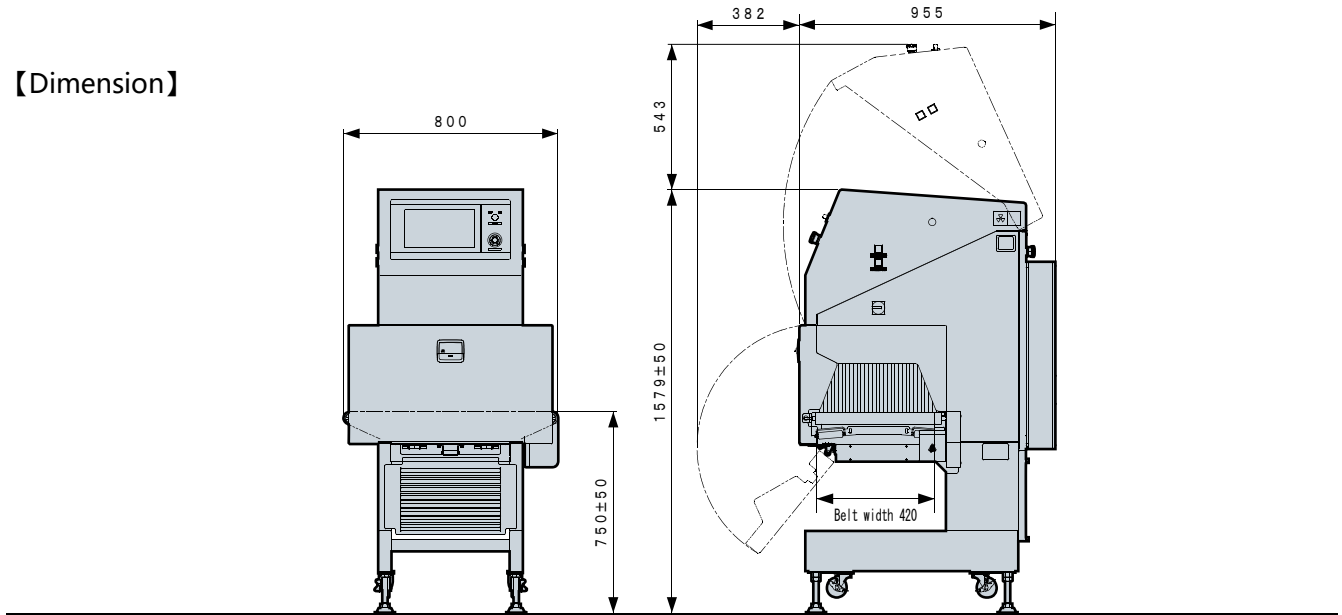
Usage

It can detect the foreign matters that cannot be detected by the conventional X-ray inspector. Especially it can detect the foreign matters effectively inside meat, ham, sausage and so on, and reduce false detection rate.

feature

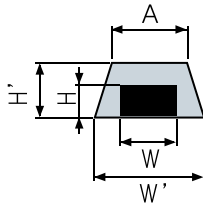
The industry's first high resolution dual energy X-ray inspect system. Compared with the our conventional X-ray inspector, we can obtain the better images, reduce the impact from products and finally detect the foreign matters by high resolution dual energy sensor which is independently developed by us.

【Dimension】



Unit: mm

A ... SX2171MW : 149 SX3671MW : 261
 H' ... SX2171MW : 100 SX3671MW : 100
 W' ... SX2171MW : 188 SX3671MW : 330



SX2171MW	H	100	90	80	70	60	50	40	30	20	10	0
	W	149	153	157	161	165	169	173	176	180	184	188
SX3671MW	H	100	90	80	70	60	50	40	30	20	10	0
	W	261	268	274	281	288	295	302	309	316	323	330

Model	SX2171MW	SX3671MW
Dimension of inspection product	W188mm x H100mm	W330mm x H110mm
Max. inspection width (on the surface of belt)	188mm	330mm
Conveyor speed	15~45m/min※1	15~45m/min※1
Transport weight	10kg	
Detection sensitivity	φ0.2mm iron or stainless ball, stone, hard bone, and high density plastic pieces	
Display unit	12.1-inches are wide TFT color LCD (with touch panel)	
Structure	Main unit: All-stainless (SUS304) Water-proof structure (Conveyor): IP66 (except air conditioner)	
Pass line	750mm±50mm	
Max X-ray output	Tube voltage:75kV Tube current:8.0mA (A power limit is 300W)	
Operating environment	Temperature: 0 to 35°C, Humidity: 30 to 85%, No dew condensation allowed.	
Weight	350kg	
Power supply	AC200V±10% 2.8kVA 50/60Hz	

※1 Please ask us about other transportation belt speed. ※ In the case that installation place has large temp. change and (or) high humidity, item to be inspected is cold or hot, optional equipment may be required.

For more information, contact our office listed below.

The contents of the specifications are subject to change without prior notice due to continual improvement.



System Square Inc. Japan

Head Office / Head Plant
 157 Kanawa, Kitamachi, Nagaoka, Niigata 9402121, Japan
 TEL +81-258-47-1377 FAX +81-258-47-0161

Agents

Korea • Taiwan • China • Philippines • Thailand • Singapore • Australia
 Europe • United Arab Emirates • Malaysia • Indonesia • Vietnam • Mexico

Japan office

Sapporo • Iwate • Sendai • Niigata • Kanto • Shizuoka • Toyama • Nagoya
 Kansai • Hiroshima • Shikoku • Fukuoka • Kagoshima