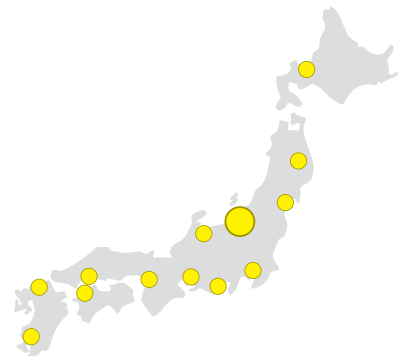


Agents



Japan office

Options

- Leg height variations



- Windshield cover



- 3-color lamps
- Rotating lamp
- Transfer line height selection
- Printer
- Conveyor guide
- Gangway footplate
- NG product receive box
- Anchor bolt
- Buzzer
- USB memory (J checker option)

For other options, contact our company.

MetaHawk 3 with metal detector

Auto checker

NEW **J** series (non-waterproof)

I series (waterproof)



For more information, contact our office listed below.

The contents of the specifications are subject to change without prior notice due to continual improvement.

 **SYSTEM SQUARE**
System Square Inc. Japan

Head Office / Head Plant
157, Kanawa, Kitamati, Nagaoka-shi, Niigata-ken, 940-2121, Japan
TEL +81-258-47-1377 FAX +81-258-47-0161

Agents
Korea • Taiwan • China • Philippines • Thailand • Singapore • Australia
Europe • United Arab Emirates • Malaysia • Indonesia • Vietnam • Mexico

Japan office
Sapporo • Iwate • Sendai • Niigata • Tokyo • Shizuoka • Toyama • Nagoya
Kansai • Hiroshima • Shikoku • Fukuoka • Kagoshima

www.system-square.com

Auto checker with industry's highest-level performance protects customers' production lines.

J series (non-waterproof)

Improved up to 45% (when compared to our conventional machine.)

Improved up to 65% (when compared to our conventional machine.)

Measuring speed

Measuring accuracy

480 pcs./min. ± 0.07g



Excellent operability

Complicated parameter settings are not needed as automatic adjustment function is incorporated, ensuring initial settings in a short time.



Product length is measured automatically Simple product type setting screen

High sanitation is maintained.

Easy-to-clean open frame is used. Conveyor pulley can also be detached and attached without using any tool.



Open frame design

Simple conveyor detachment/attachment

Enhance history record function

The accumulated and individual weight data as well as the operation history are recorded automatically. The analysis and diagnosis of the productivity, etc. can be performed easily, contributing to the improvement of the traceability.

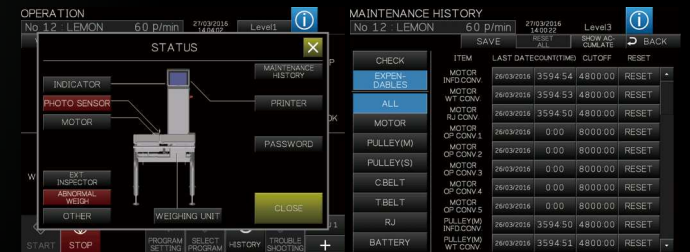


Data is output to USB memory.

Summary data is used.

Simple maintenance

The daily inspection can be performed easily using the navigation function. If an error occurs, the occurrence location and restoration location are displayed on the screen, giving a sense of security to you.



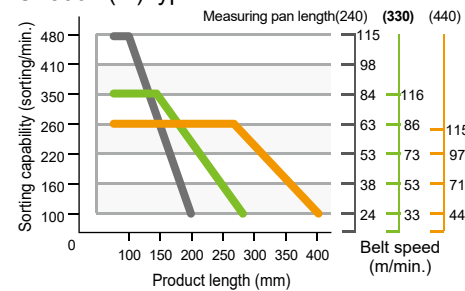
Error status display screen

Part replacement timing display screen

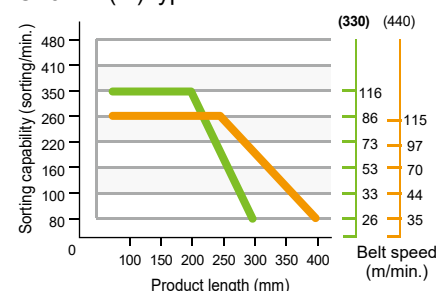
Performance table Standard specifications: Bold face

CSJ series (60 to 3300 g)

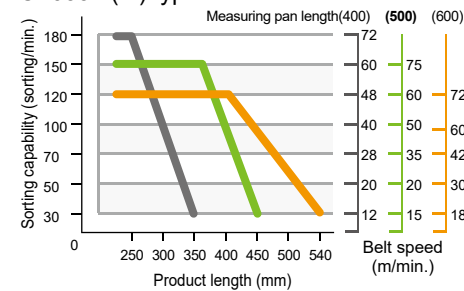
CSJ06L (M) type



CSJ22L (M) type

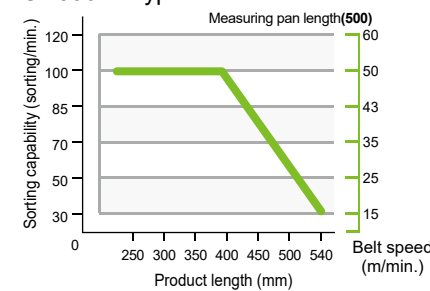


CSJ33L (M) type

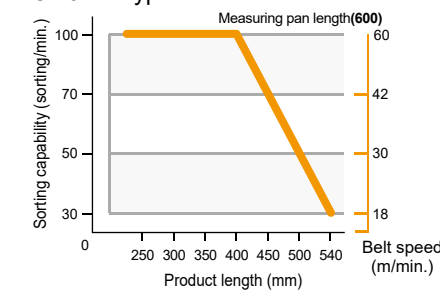


CM J series (60 to 30000 g)

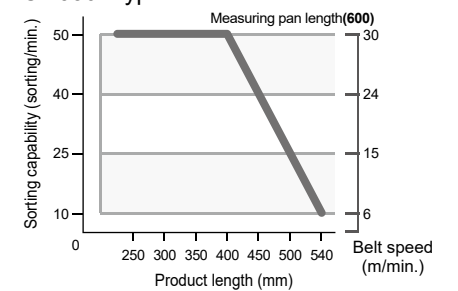
CMJ06LM type



CMJ12L type



CMJ30L type



Next generation type auto checker supporting customers' all needs

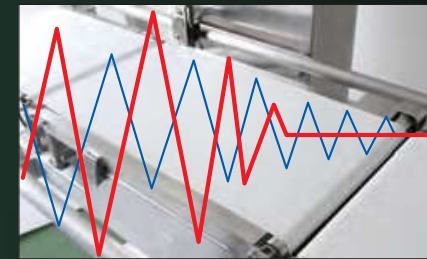


I series (waterproof)



World's best performance

High performance machine with a measuring speed of 480 ppm and a measuring accuracy of ± 0.15 g. In operation environments with a large vibration, a dual-cell (option) contributes to highly accurate measurements.



High sanitation is maintained.

Waterproof performance (checker main unit only) IP67 compliant, (optional) IP69k compliant. A round pipe that is difficult to accumulate dust is used for the frame. Conveyor pulley can be detached and attached without using any tool.

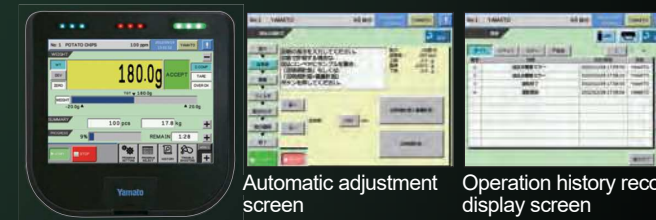


Open frame design

Simple conveyor detachment/attachment

Excellent operability

Everyone can perform the initial setting easily in a short time using the automatic adjustment function. Use of the LED display function makes it possible to understand the operation status at a glance from even a distant position.



Automatic adjustment screen

Operation history record display screen

Simple maintenance

Part replacement timing information function prevents failures. If an error occurs, the occurrence location and restoration location are displayed on the screen, giving a sense of security to you.

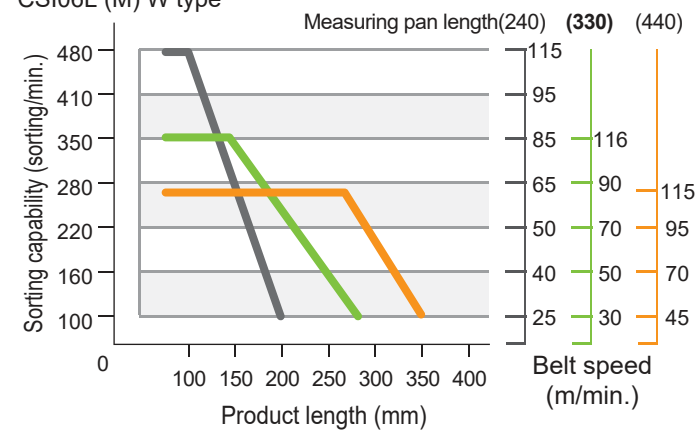


Part replacement timing Error status display screen Error display screen display screen

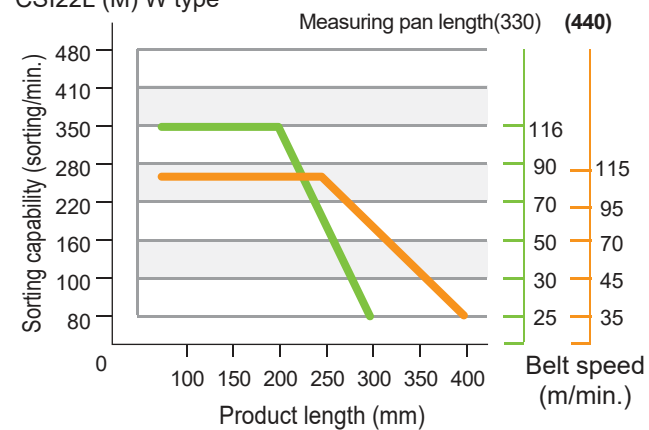
Performance table Standard specifications: Bold face

CSI series (60 to 3300 g)

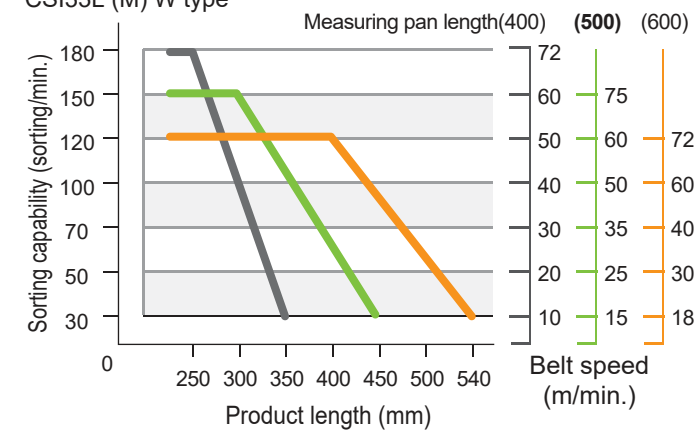
CSI06L (M) W type



CSI22L (M) W type

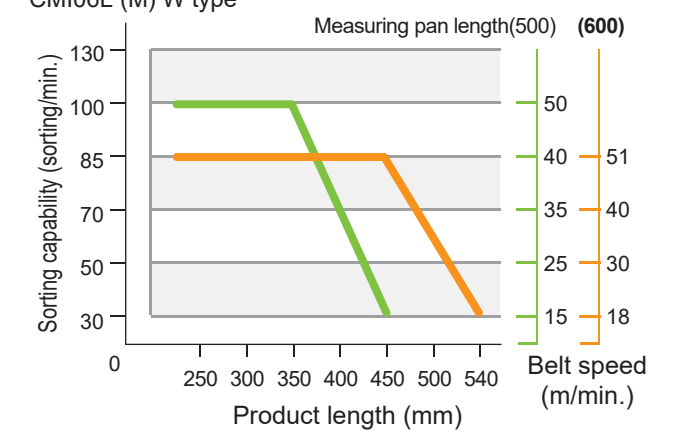


CSI33L (M) W type



CMI series (60 to 6000 g)

CMI06L (M) W type



Metal Detector

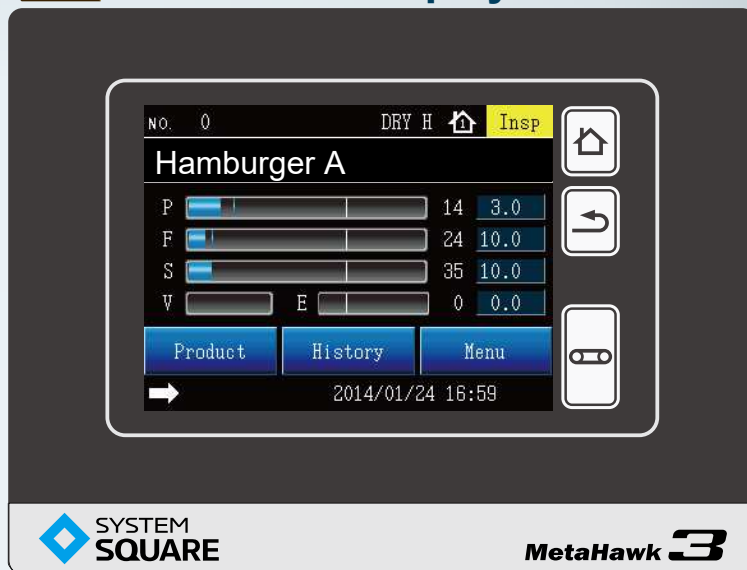


3 types of inspection screens

Operator friendly

Anybody can use this machine easily.

1 Level meter display



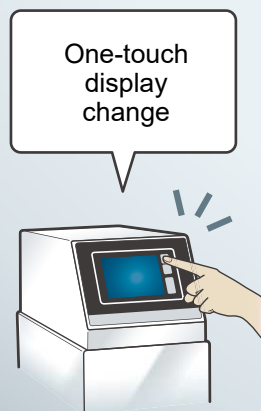
SYSTEM SQUARE

MetaHawk 3

2 Inspection Q'ty display



3 Inspection result magnification display



MetaHawk 3



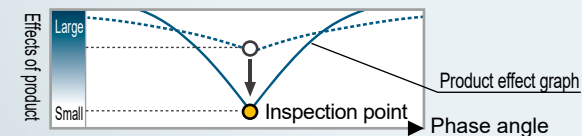
3 types of inspection functions

Continuously improved basic performance

We always aim at the most-advanced high sensitivity.

2 Advanced ECP function

This function is provided to reduce the effects of the product to improve the sensitivity. In the MetaHawk3, the ECP function has been further advanced using the leading-edge data analysis technology. Use of this function makes it possible to precisely detect products containing water content or salt content with large effects as well as products with small effects.

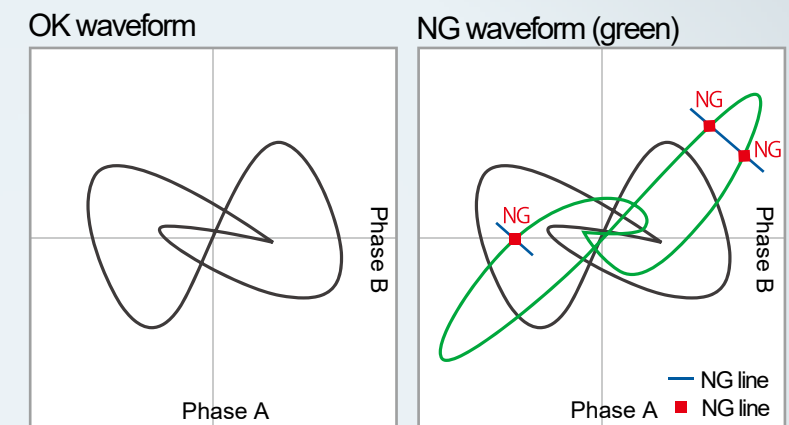


3 2-frequency inspection

Use of the 2-frequency inspection method makes it possible to detect two kinds of foreign objects, ferrous and nonferrous foreign objects. (System Square incorporated this 2-frequency inspection technology into the mass-production machines first in the world, and already has an experience of more than 10 years.)

1 "V mode inspection" New system

As the product features are visualized using multiple phases, even fine changes are identified to achieve high sensitivity.



Examples of detection sensitivity (Inspection product: Sliced ham)

	V-mode inspection	Conventional system (Normal inspection)
Fe	φ 0.5mm ~ φ 0.6mm	φ 1.0mm ~ φ 1.0mm
SUS	φ 1.5mm ~ φ 1.5mm	φ 2.0mm ~ φ 2.0mm

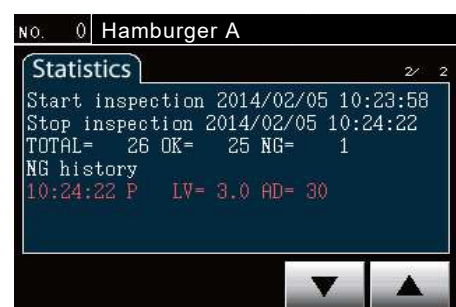
*The detection sensitivity may vary depending on the product to be inspected.

Extensive history functions



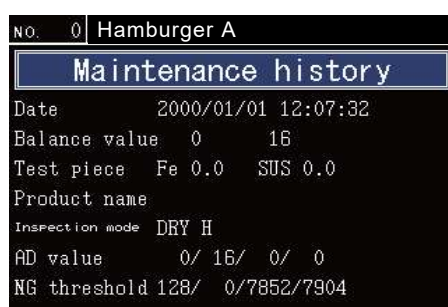
Inspection history

Event Work history, such as machine setting change
Error Machine and software error history



Statistic display

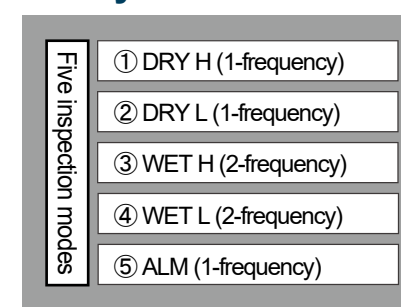
General history from the inspection start to the inspection end. This display can be used as inspection result daily report.



Check and inspection history

The final inspection records remain and can be checked later. This check and inspection history is also effective as prevention of missing periodic inspection.

Everyone can set the sensitivity easily and automatically.



Difficult selection of inspection mode...



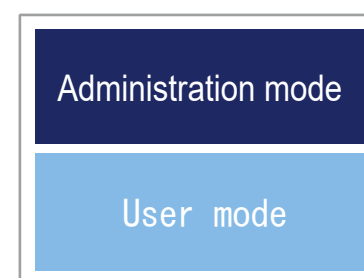
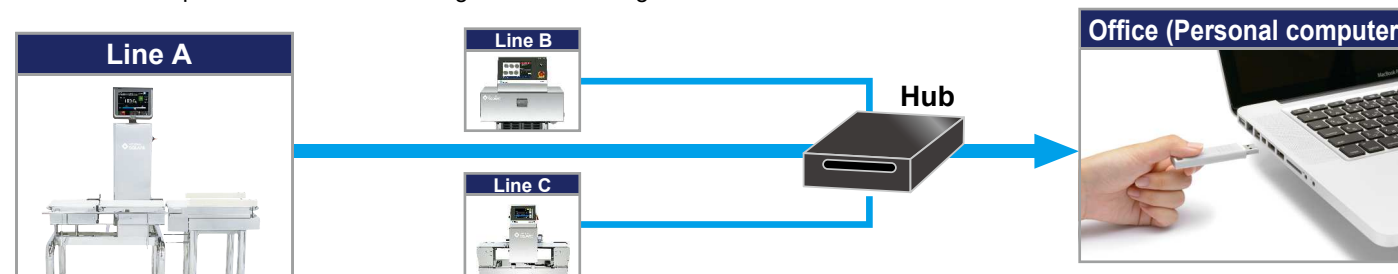
Just operate following to instruction on screen...



Everyone can set the best sensitivity.

Data management through network (option)

The data of multiple machines can be managed with PC through a LAN network.



A password is required for access mode change.



Access mode selection

Protects from incorrect setting change by inexperienced operators. A password is required to change access mode.

Enhanced communication function

Four serial ports and a LAN port is available for communication between PC, labeler, bar code reader, printer, and other devices.



CSJ06L1633S/CSJ22L2444S/CSJ33L3250S/CMJ12L4060S/CMJ30L4060S

series

Auto checker



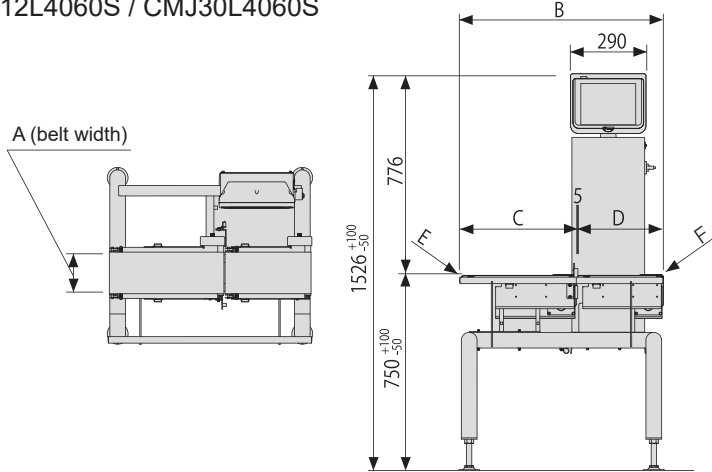
CSJ06LM1633S/CSJ22LM2444S/CSJ33LM3250S/CMJ06LM4060S

series

Auto checker with metal detector



CSJ06L1633S / CSJ22L2444S / CSJ33L3250S
CMJ12L4060S / CMJ30L4060S



	A	B	C	D※	E	F
CSJ 06 L 1633 S	160	775	440	330	φ25	φ25
CSJ 22 L 2444 S	240	775	330	440	φ25	φ25
CSJ 33 L 3250 S	320	1010	500	500	φ33	φ33
CMJ 12 L 4060 S	400	1010	400	600	φ39	φ39
CMJ 30 L 4060 S	400	-	-	600	-	φ39

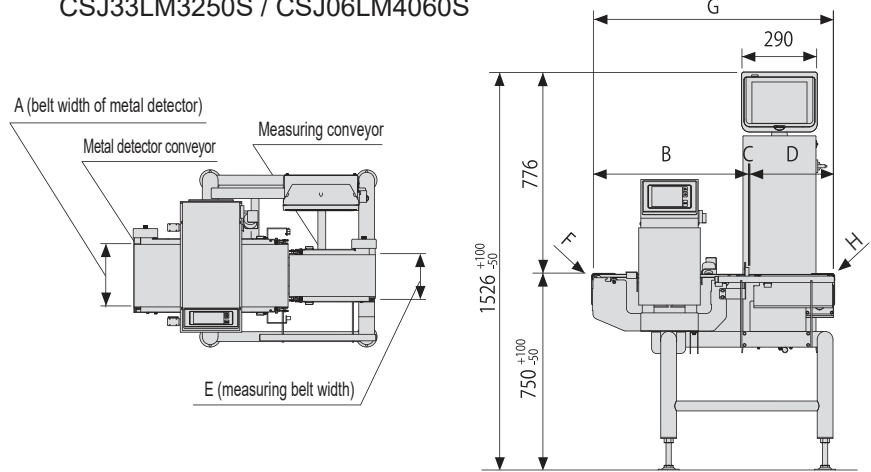
Unit: mm

* For the length of the measuring pan, only the dimension of the standard specifications is described. For details about other lengths, contact us.

Model	CSJ 06 L 1633 S	CSJ 22 L 2444 S	CSJ 33 L 3250 S	CMJ 12 L 4060 S	CMJ 30 L 4060 S
Measuring range	6~600g	20~2200g	30~3300g	60~12000g	300~30000g
Max. accuracy	±0.07g	±0.2g	±0.3g	±1.0g	±2.0g
Max. sorting capability	350 pcs./min.	260 pcs./min.	150 pcs./min.	100 pcs./min.	50 pcs./min.
Min. scale interval	0.05g	0.1g	0.2g	0.5g	2.0g
Product type	Max. 200 product types				
Max. dimensions of measuring product	Width	160mm	240mm	320mm	400mm
	Length	300mm	400mm	450mm	540mm
	Height	180mm			
Belt speed	6~116m/min		5~76m/min	4~60m/min	2~31m/min
Power supply	AC 100 to 240V ±10%, 50/60 Hz, single-phase				
Power consumption	350 VA (main unit only)			500 VA (main unit only)	350 VA (main unit only)
Protection class	IP30 compliant				
Product weight	50kg	55kg	60kg	65kg	45kg
Operating environment	0 to 40°C (Relative humidity is 35 to 85% or less. No dew condensation allowed.)				
Detection method	Load cell detection				

* The max. accuracy and max. sorting capability may vary depending on the product to be measured and the sorting unit.

CSJ06LM1633S / CSJ22LM2444S
CSJ33LM3250S / CSJ06LM4060S



	A	B	C	D※	E	F	G	H
CSJ 06 LM 1633 S	240	590	5	330	160	φ25	925	φ25
CSJ 22 LM 2444 S	240	590	5	440	240	φ25	1035	φ25
CSJ 33 LM 3250 S	400	800	10	500	320	φ39	1310	φ33
CMJ 06 LM 4060 S	400	800	10	600	400	φ39	1410	φ39

Unit: mm

* For the length of the measuring pan, only the dimension of the standard specifications is described. For details about other lengths, contact us.

Model	CSJ 06 LM 1633 S	CSJ 22 LM 2444 S	CSJ 33 LM 3250 S	CMJ 06 LM 4060 S
Measuring range	6~600g	20~2200g	30~3300g	60~6000g
Max. accuracy	±0.07g	±0.2g	±0.3g	±1.0g
Max. sorting capability	350 pcs./min.	260 pcs./min.	150 pcs./min.	100 pcs./min.
Min. scale interval	0.05g	0.1g	0.2g	0.5g
Product type	Max. 200 product types			
Passing width of metal detector	300mm		450mm	
Passing height of metal detector	60mm/80mm/100mm/120mm/150mm/180mm		75mm/95mm/115mm/145mm/175mm	
Metal detection sensitivity	For details, see the metal detector catalog.			
Max. dimensions of measuring product	Width	160mm	240mm	320mm
	Length	300mm	400mm	450mm
	Height	60mm/80mm/100mm/120mm/150mm/180mm		
Belt speed	6~116m/min		5~76m/min	4~60m/min
Power supply	AC 100 to 240V ±10%, 50/60 Hz, single-phase			
Power consumption	500 VA (main unit only)			650 VA (main unit only)
Protection class	IP30 compliant			
Product weight	80kg	85kg	110kg	120kg
Operating environment	0 to 40°C (Relative humidity is 35 to 85% or less. No dew condensation allowed.)			
Detection method	Load cell detection			

* The max. accuracy and max. sorting capability may vary depending on the product to be measured and the sorting unit.
* The detection sensitivity during actual operation may vary depending on the type of foreign object, product to be inspected (contents or shape, etc.), or operating environment.



CSI06LW1633S/CSI22LW2444S/CSI33LW3250S/CMI06LW4060S

series



Auto checker



CSI06LMW1633S/CSI22LMW2444S/CSI33LMW3250S/CMI06LMW4060S

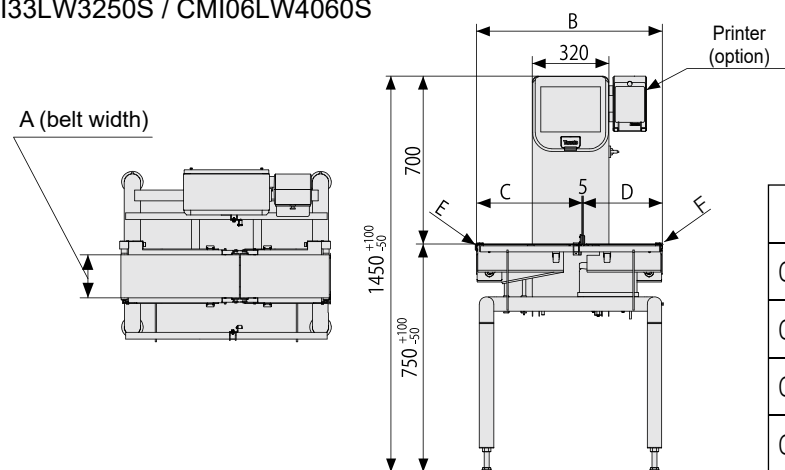
series



Auto checker with metal detector



CSI06LW1633S / CSI22LW2444S
CSI33LW3250S / CMI06LW4060S



	A	B	C	D※	E	F
CSI 06 LW 1633 S	160	775	440	330	φ25	φ25
CSI 22 LW 2444 S	240	775	330	440	φ25	φ25
CSI 33 LW 3250 S	320	1010	500	500	φ33	φ33
CMI 06 LW 4060 S	400	1010	400	600	φ33	φ33

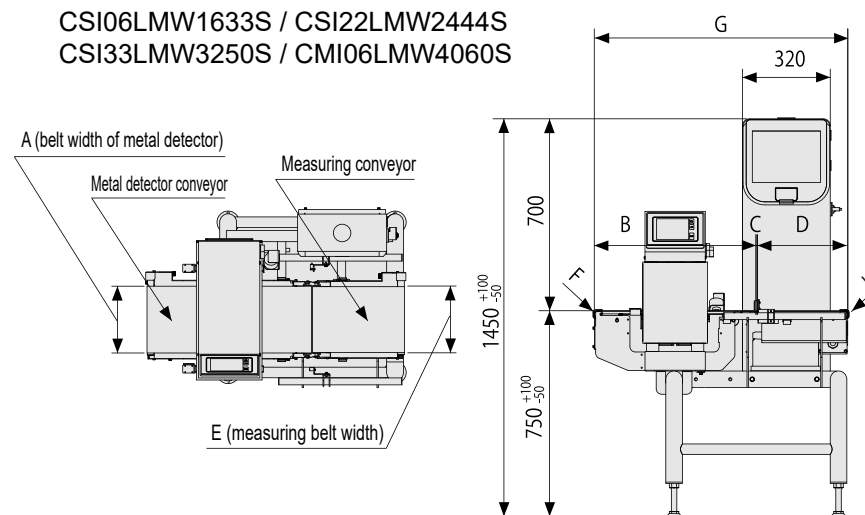
Unit: mm

* For the length of the measuring pan, only the dimension of the standard specifications is described. For details about other lengths, contact us.

Model	CSI 06 LW 1633 S	CSI 22 LW 2444 S	CSI 33 LW 3250 S	CMI 06 LW 4060 S	
Measuring range	6~600g	20~2200g	30~3300g	60~6000g	
Max. accuracy	±0.15g	±0.3g	±0.5g		
Max. sorting capability	350 pcs./min.	260 pcs./min.	150 pcs./min.	85 pcs./min.	
Min. scale interval	0.05g	0.1g	0.2g		
Product type	Max. 200 product types				
Max. dimensions of measuring product	Width	160mm	240mm	320mm	400mm
	Length	300mm	400mm	450mm	540mm
	Height	180mm			
Belt speed	6~116m/min		5~76m/min	4~52m/min	
Power supply	AC 100 to 240V ±10%, 50/60 Hz, single-phase				
Power consumption	350 VA (main unit only)				
Protection class	IP67 compliant * IP69K optionally available.				
Product weight	65kg	72kg	85kg	98kg	
Operating environment	-10 to 40°C (Relative humidity is 35 to 85% or less. No dew condensation allowed.)				
Detection method	Load cell detection				

* The max. accuracy and max. sorting capability may vary depending on the product to be measured and the sorting unit.

CSI06LMW1633S / CSI22LMW2444S
CSI33LMW3250S / CMI06LMW4060S



	A	B	C	D※	E	F	G	H
CSI 06 LMW 1633 S	240	590	5	330	160	φ25	925	φ25
CSI 22 LMW 2444 S	240	590	5	440	240	φ25	1035	φ25
CSI 33 LMW 3250 S	400	800	10	500	320	φ33	1310	φ33
CMI 06 LMW 4060 S	400	800	10	600	400	φ33	1410	φ33

Unit: mm

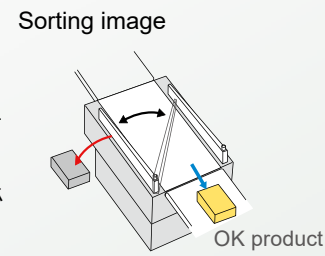
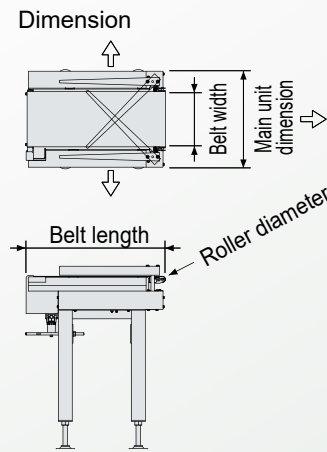
* For the length of the measuring pan, only the dimension of the standard specifications is described. For details about other lengths, contact us.

Model	CSI 06 LMW 1633 S	CSI 22 LMW 2444 S	CSI 33 LMW 3250 S	CMI 06 LMW 4060 S	
Measuring range	6~600g	20~2200g	30~3300g	60~6000g	
Max. accuracy	±0.15g	±0.3g	±0.5g		
Max. sorting capability	350 pcs./min.	260 pcs./min.	150 pcs./min.	85 pcs./min.	
Min. scale interval	0.05g	0.1g	0.2g		
Product type	Max. 200 product types				
Passing width of metal detector	300mm		450mm		
Passing height of metal detector	60mm/80mm/100mm/120mm/150mm/180mm		75mm/95mm/115mm/145mm/175mm		
Metal detection sensitivity	For details, see the metal detector catalog.				
Max. dimensions of measuring product	Width	160mm	240mm	320mm	400mm
	Length	300mm	400mm	450mm	540mm
	Height	60mm/80mm/100mm/120mm/150mm/180mm			
Belt speed	6~116m/min		5~76m/min	4~52m/min	
Power supply	AC 100 to 240V ±10%, 50/60 Hz, single-phase				
Power consumption	500 VA (main unit only)				
Protection class	IP67 compliant * IP69K optionally available.				
Product weight	110kg	120kg	150kg	170kg	
Operating environment	0 to 40°C (Relative humidity is 35 to 85% or less. No dew condensation allowed.)				
Detection method	Load cell detection				

* The max. accuracy and max. sorting capability may vary depending on the product to be measured and the sorting unit.
* The detection sensitivity during actual operation may vary depending on the type of foreign object, product to be inspected (contents or shape, etc.), or operating environment.

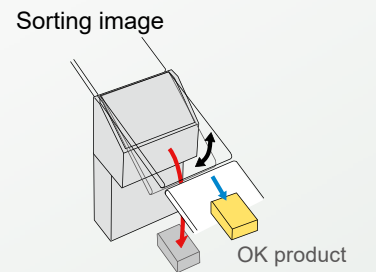
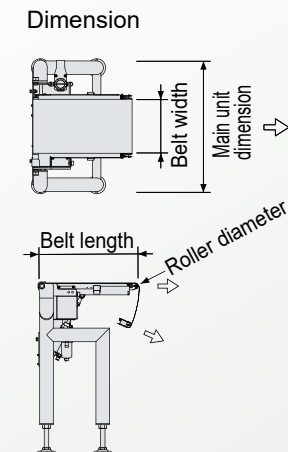
Sorting machine J series

Flipper type



Flipper type
One to two flipper arms sort products to be sorted by light weight, appropriate weight, or over weight. The flipper type is the most versatile type and suitable for box products or thick bag products.

Single swing type



Single swing type
Products to be sorted are separated to reject NG products by lowering the rear of the conveyor. The single swing type is suitable for thin bag products.

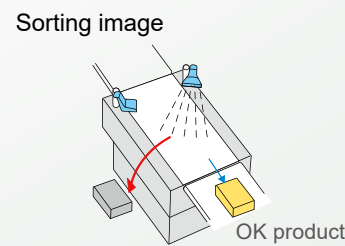
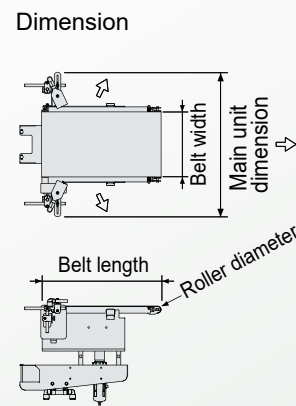
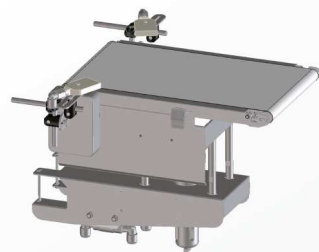
Model	FJ 31660 F	FJ 32460 F	FJ 33274 F	FJ 34084 F
Applicable checker	CSJ 06 シリーズ	CSJ 22 シリーズ	CSJ 33 シリーズ	CMJ 06 シリーズ CMJ 12 シリーズ
Dimension	Main unit dimension	337mm	417mm	507mm
	Belt Width	160mm	240mm	320mm
	Belt length	600mm	600mm	740mm
	Roller diameter	φ25	φ25	φ33
Dimensions of product to be measured (Max.)	Width	160mm	240mm	320mm
	Length	400mm	400mm	540mm
	Height	200mm	200mm	200mm
	Weight	2200g	2200g	6000g
Max. sorting capability (pcs./min.)	270	200	6000g	130
Conveyor speed (m/min.)	6 ~ 116	6 ~ 116	4 ~ 62	4 ~ 62
Power consumption	150VA	150VA	150VA	275VA
Air source	0.4 ~ 0.7MPa	0.4 ~ 0.7MPa	0.4 ~ 0.7MPa	0.4 ~ 0.7MPa
Air consumption	0.4L (ANR)/sorting	0.4L (ANR)/sorting	0.4L (ANR)/sorting	0.4L (ANR)/sorting
Protection class	IP30 compliant	IP30 compliant	IP30 compliant	IP30 compliant
Weight	28kg	38kg	50kg	60kg

* The max. sorting capability may vary depending on the shape, weight, and status of a product to be measured.

Model	SJ 21644 F	SJ 22444 F	SJ 23250 F	SJ 24060 F
Applicable checker	CSJ 06 series	CSJ 22 series	CSJ 33 series	CMJ 06 series
Dimension	Main unit dimension	580mm	580mm	720mm
	Belt Width	160mm	240mm	320mm
	Belt length	440mm	440mm	500mm
	Roller diameter	φ25	φ25	φ33
Dimensions of product to be measured (Max.)	Width	160mm	240mm	320mm
	Length	400mm	400mm	440mm
	Height	130mm	130mm	130mm
	Weight	2200g	2200g	3300g
Max. sorting capability (pcs./min.)	100	100	50	50
Conveyor speed (m/min.)	6 ~ 116	6 ~ 116	5 ~ 76	4 ~ 60
Power consumption	150VA	150VA	150VA	275VA
Air source	0.4 ~ 0.7MPa	0.4 ~ 0.7MPa	0.4 ~ 0.7MPa	0.4 ~ 0.7MPa
Air consumption	2.0L (ANR)/sorting	2.0L (ANR)/sorting	2.0L (ANR)/sorting	2.0L (ANR)/sorting
Protection class	IP30 compliant	IP30 compliant	IP30 compliant	IP30 compliant
Weight	27kg	32kg	40kg	45kg

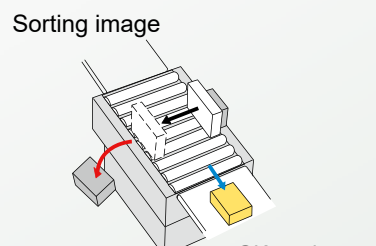
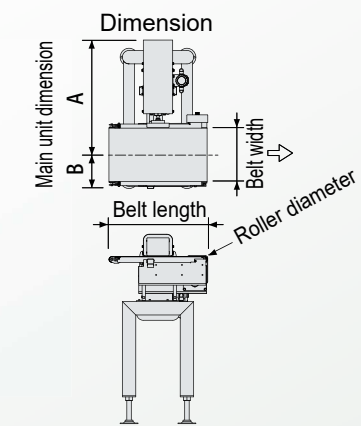
* The max. sorting capability may vary depending on the shape, weight, and status of a product to be measured.

Air jet type



Air jet type
The air is blown to products to be sorted to reject NG products. The air jet type is suitable for sorting of small and lightweight products, such as individual package products at a high speed.

Pusher type



Pusher type
Products to be sorted are pushed by the kick board attached to the top end of the cylinder to reject NG products. The pusher type is suitable for box products or thick bag products.

Model	AJ 21644 I (2 directions)	AJ 22444 I (2 directions)	AJ 31644 I (3 directions)	AJ 32444 I (3 directions)
Applicable checker	CSJ 06 series	CSJ 22 series	CSJ 06 series	CSJ 22 series
Dimension	Main unit dimension	453mm	533mm	533mm
	Belt Width	160mm	240mm	240mm
	Belt length	440mm	440mm	440mm
	Roller diameter	φ25	φ25	φ25
Dimensions of product to be measured (Max.)	Width	160mm	240mm	240mm
	Length	400mm	400mm	400mm
	Height	160mm	160mm	160mm
	Weight	300g	300g	300g
Max. sorting capability (pcs./min.)	400	400	400	400
Conveyor speed (m/min.)	6 ~ 116	6 ~ 116	6 ~ 116	6 ~ 116
Power consumption	150VA	150VA	150VA	150VA
Air source	0.4 ~ 0.7MPa	0.4 ~ 0.7MPa	0.4 ~ 0.7MPa	0.4 ~ 0.7MPa
Air consumption	5.0L (ANR)/sorting	5.0L (ANR)/sorting	5.0L (ANR)/sorting	5.0L (ANR)/sorting
Protection class	IP30 compliant	IP30 compliant	IP30 compliant	IP30 compliant
Weight	8kg	9kg	8kg	9kg

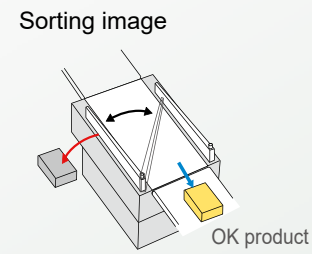
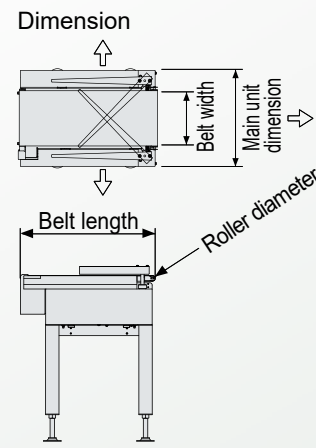
* The max. sorting capability may vary depending on the shape, weight, and status of a product to be measured.

Model	PJ 21644 F	PJ 22444 F	PJ 23250 F	PJ 24060 F	PJ 25053 F
Applicable checker	CSJ 06 series	CSJ 22 series	CSJ 33 series	CMJ 06 series	CMJ 30 series
Conveyance method	Belt type	Belt type	Belt type	Belt type	Belt type
Dimension	Main unit dimension	A475mm B111mm	A515mm B151mm	A655mm B191mm	A695mm B231mm
	Belt Width	160mm	240mm	320mm	400mm
	Belt length	440mm	440mm	500mm	600mm
	Roller diameter	φ25	φ25	φ33	φ39
Dimensions of product to be measured (Max.)	Width	160mm	240mm	320mm	400mm
	Length	400mm	400mm	450mm	500mm
	Height	200mm	200mm	200mm	200mm
	Weight	2200g	2200g	6000g	12000g
Max. sorting capability (pcs./min.)	180	160	120	100	50
Conveyor speed (m/min.)	6 ~ 116	6 ~ 116	4 ~ 52	4 ~ 52	4 ~ 31
Power consumption	150VA	150VA	150VA	275VA	150VA
Air source	0.4 ~ 0.7MPa	0.4 ~ 0.7MPa	0.4 ~ 0.7MPa	0.4 ~ 0.7MPa	0.4 ~ 0.7MPa
Air consumption	2.0L (ANR)/sorting	2.5L (ANR)/sorting	3.0L (ANR)/sorting	3.5L (ANR)/sorting	7.5L (ANR)/sorting
Protection class	IP30 compliant	IP30 compliant	IP30 compliant	IP30 compliant	IP30 compliant
Weight	27kg	32kg	40kg	45kg	45kg

* The max. sorting capability may vary depending on the shape, weight, and status of a product to be measured.

Sorting machine I series

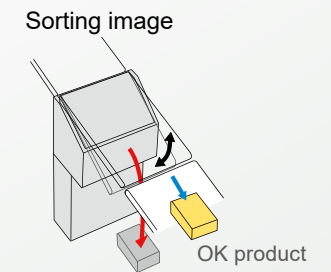
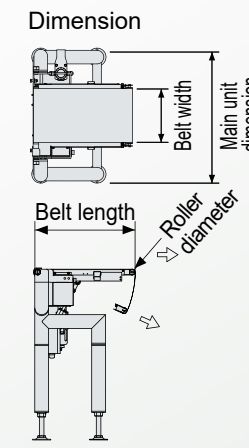
Flipper type



Flipper type

One to two flipper arms sort products to be sorted by light weight, appropriate weight, or over weight. The flipper type is the most versatile type and suitable for box products or thick bag products.

Single swing type



Single swing type

Products to be sorted are separated to reject NG products by lowering the rear of the conveyor. The single swing type is suitable for thin bag products.

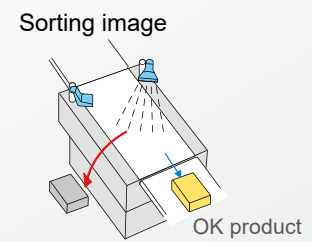
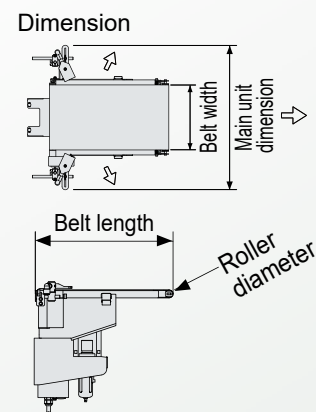
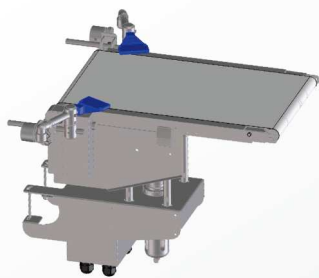
Model	FI 31660 WF	FI 32460 WF	FI 33274 WF	FI 34084 WF
Applicable checker	CSI 06 series	CSI 22 series	CSI 33 series	CSI 06 series
Dimension	Main unit dimension	375mm	455mm	535mm
	Belt width	160mm	240mm	320mm
	Belt length	600mm	600mm	740mm
	Roller diameter	φ 25	φ 25	φ 33
Dimensions of product to be measured (Max.)	Width	160mm	240mm	320mm
	Length	400mm	400mm	540mm
	Height	200mm	200mm	200mm
	Weight	2200g	2200g	6000g
Max. sorting capability (pcs./min.)	270	200	150	130
Conveyor speed (m/min.)	6 ~ 116	6 ~ 116	4 ~ 62	4 ~ 62
Power consumption	150VA	150VA	150VA	150VA
Air source	0.4 ~ 0.7MPa	0.4 ~ 0.7MPa	0.4 ~ 0.7MPa	0.4 ~ 0.7MPa
Air consumption	0.4L (ANR)/sorting	0.4L (ANR)/sorting	0.4L (ANR)/sorting	0.4L (ANR)/sorting
Protection class	IP67 compliant	IP67 compliant	IP67 compliant	IP67 compliant
Weight	28kg	38kg	50kg	60kg

* The max. sorting capability may vary depending on the shape, weight, and status of a product to be measured.

Model	SI 21644 WF	SI 22444 WF	SI 23250 WF	SI 24060 WF
Applicable checker	CSI 06 series	CSI 22 series	CSI 33 series	CSI 06 series
Dimension	Main unit dimension	580mm	580mm	740mm
	Belt width	160mm	240mm	320mm
	Belt length	440mm	440mm	500mm
	Roller diameter	φ 25	φ 25	φ 33
Dimensions of product to be measured (Max.)	Width	160mm	240mm	320mm
	Length	400mm	400mm	440mm
	Height	130mm	130mm	130mm
	Weight	2200g	2200g	6000g
Max. sorting capability (pcs./min.)	100	100	50	50
Conveyor speed (m/min.)	6 ~ 116	6 ~ 116	4 ~ 52	4 ~ 52
Power consumption	150VA	150VA	150VA	150VA
Air source	0.4 ~ 0.7MPa	0.4 ~ 0.7MPa	0.4 ~ 0.7MPa	0.4 ~ 0.7MPa
Air consumption	2.0L (ANR)/sorting	2.0L (ANR)/sorting	2.0L (ANR)/sorting	2.0L (ANR)/sorting
Protection class	IP67 compliant	IP67 compliant	IP67 compliant	IP67 compliant
Weight	27kg	32kg	40kg	45kg

* The max. sorting capability may vary depending on the shape, weight, and status of a product to be measured.

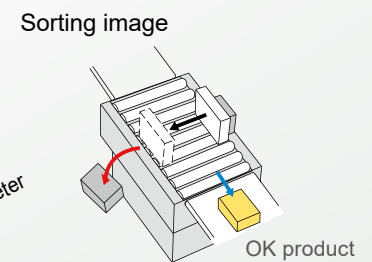
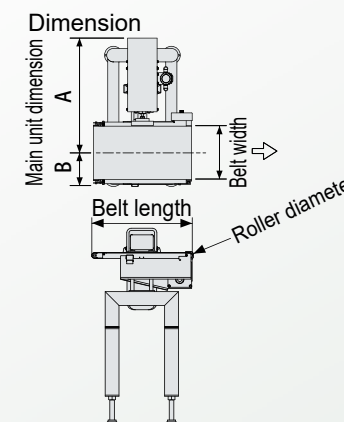
Air jet type



Air jet type

The air is blown to products to be sorted to reject NG products. The air jet type is suitable for sorting of small and lightweight products, such as individual package products at a high speed.

Pusher type



Pusher type

Products to be sorted are pushed by the kick board attached to the top end of the cylinder to reject NG products. The pusher type is suitable for box products or thick bag products.

Model	AJ 21644 WI (2 directions)	AJ 22444 WI (2 directions)	AJ 31644 WI (3 directions)	AJ 32444 WI (3 directions)
Applicable checker	CSI 06 series	CSI 22 series	CSI 06 series	CSI 22 series
Dimension	Main unit dimension	444.5mm	444.5mm	444.5mm
	Belt width	160mm	240mm	160mm
	Belt length	440mm	440mm	440mm
	Roller diameter	φ 25	φ 25	φ 25
Dimensions of product to be measured (Max.)	Width	160mm	240mm	160mm
	Length	400mm	400mm	400mm
	Height	160mm	160mm	160mm
	Weight	300g	300g	300g
Max. sorting capability (pcs./min.)	400	400	400	400
Conveyor speed (m/min.)	6 ~ 116	6 ~ 116	6 ~ 116	6 ~ 116
Power consumption	150VA	150VA	150VA	150VA
Air source	0.4 ~ 0.7MPa	0.4 ~ 0.7MPa	0.4 ~ 0.7MPa	0.4 ~ 0.7MPa
Air consumption	5.0L (ANR)/sorting	5.0L (ANR)/sorting	5.0L (ANR)/sorting	5.0L (ANR)/sorting
Protection class	IP67 compliant	IP67 compliant	IP67 compliant	IP67 compliant
Weight	8kg	9kg	8kg	9kg

* The max. sorting capability may vary depending on the shape, weight, and status of a product to be measured.

Model	PI 21644 WF	PI 22444 WF	PI 23250 WF	PI 24060 WF
Applicable checker	CSI 06 series	CSI 22 series	CSI 33 series	CSI 06 series
Conveyance method	Belt type	Belt type	Belt type	Belt type
Dimension	Main unit dimension	A434mm B111mm	A474mm B151mm	A623mm B191mm
	Belt width	160mm	240mm	320mm
	Belt length	440mm	440mm	500mm
	Roller diameter	φ 25	φ 25	φ 33
Dimensions of product to be measured (Max.)	Width	160mm	240mm	320mm
	Length	400mm	400mm	450mm
	Height	200mm	200mm	200mm
	Weight	2200g	2200g	6000g
Max. sorting capability (pcs./min.)	180	160	120	100
Conveyor speed (m/min.)	6 ~ 116	6 ~ 116	4 ~ 52	4 ~ 52
Power consumption	150VA	150VA	150VA	150VA
Air source	0.4 ~ 0.7MPa	0.4 ~ 0.7MPa	0.4 ~ 0.7MPa	0.4 ~ 0.7MPa
Air consumption	2.0L (ANR)/sorting	2.5L (ANR)/sorting	3.0L (ANR)/sorting	3.5L (ANR)/sorting
Protection class	IP67 compliant	IP67 compliant	IP67 compliant	IP67 compliant
Weight	27kg	32kg	40kg	45kg

* The max. sorting capability may vary depending on the shape, weight, and status of a product to be measured.