

# Metal Detectors

General Catalog

The metal detector utilizes a magnetic field sensor to accurately detect metal foreign body.

**MetaHawk *3*  
PLUS**

# METAL DETECTOR

SYSTEM SQUARE INC.

# Functions and features

## Contribute for reducing product loss by stable device operation

Reduce Food Loss and Waste

High Sensitivity

Low Maintenance Cost

### All Meta-Hawk 3 series are updated

This new coil strengthen for noises from other devices. It reduces risk of false alarms and keeps itself long running.

#### Cut out noises from outside

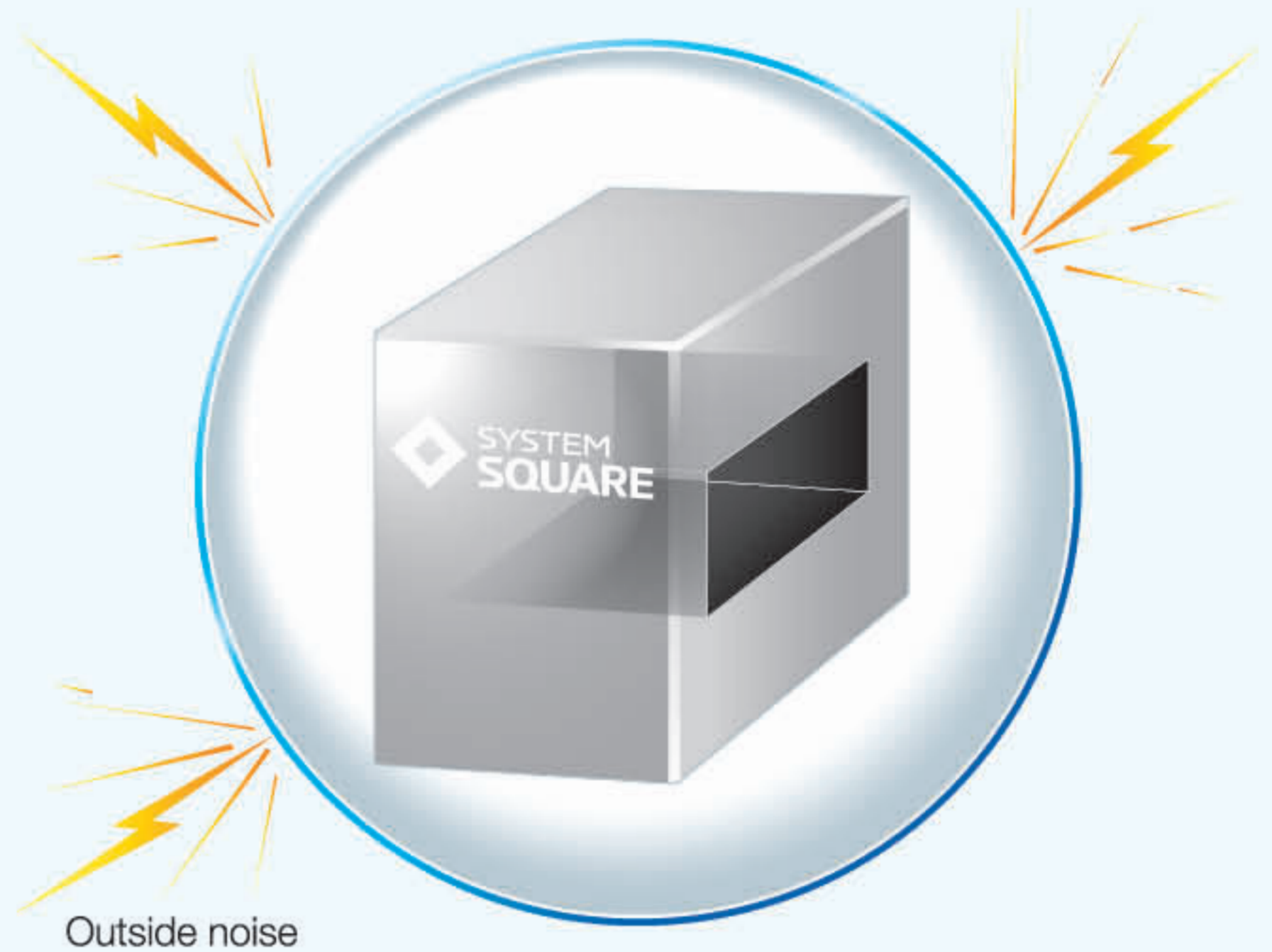
Able to endure a cable noise, static electricity, deformation by the temperature change and so on.

Less malfunction

Raise productivity

Keep high-sensitivity

Reduce Food Loss and Waste



### Friendly operability

Large 5.7-inch color LCD is equipped with a touch panel function. The large screen displays a variety of illustrations and function descriptions for easy understanding of operating procedures (first in the domestic industry).



No.	0	DRY H	Insp
Hamburger steak			
P	44	3.0	
F	15	10.0	
S	17	10.0	
E	7	10.0	
Product		History	
2020/06/12 12:12			

Level meter display

No.	0	DRY H	Insp
Hamburger steak			
Number	26		
OK	25	Clear	
NG	1		
Product		History	
2020/06/16 12:17			

Inspection Q' ty display

### To get better sensitivity

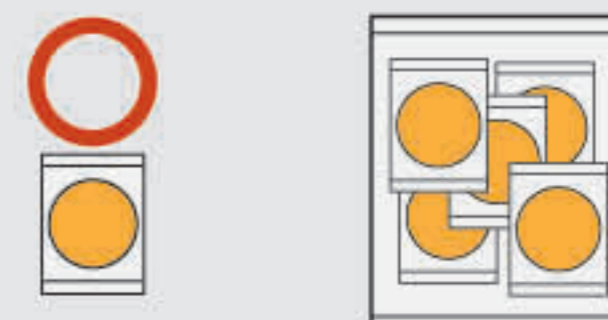
#### Select suitable coil

Select suitable coil because using large coil for small products causes worse sensitivity.



#### Inspect individual package

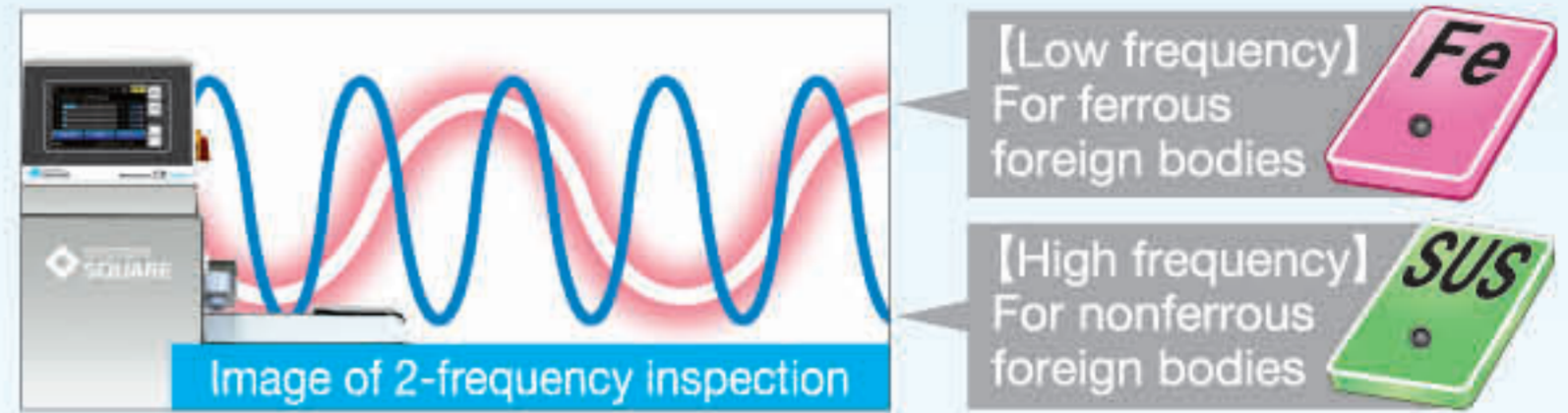
Better sensitivity can be expected with smaller coil.



# MetaHawk 3 PLUS

## 2-frequency inspection

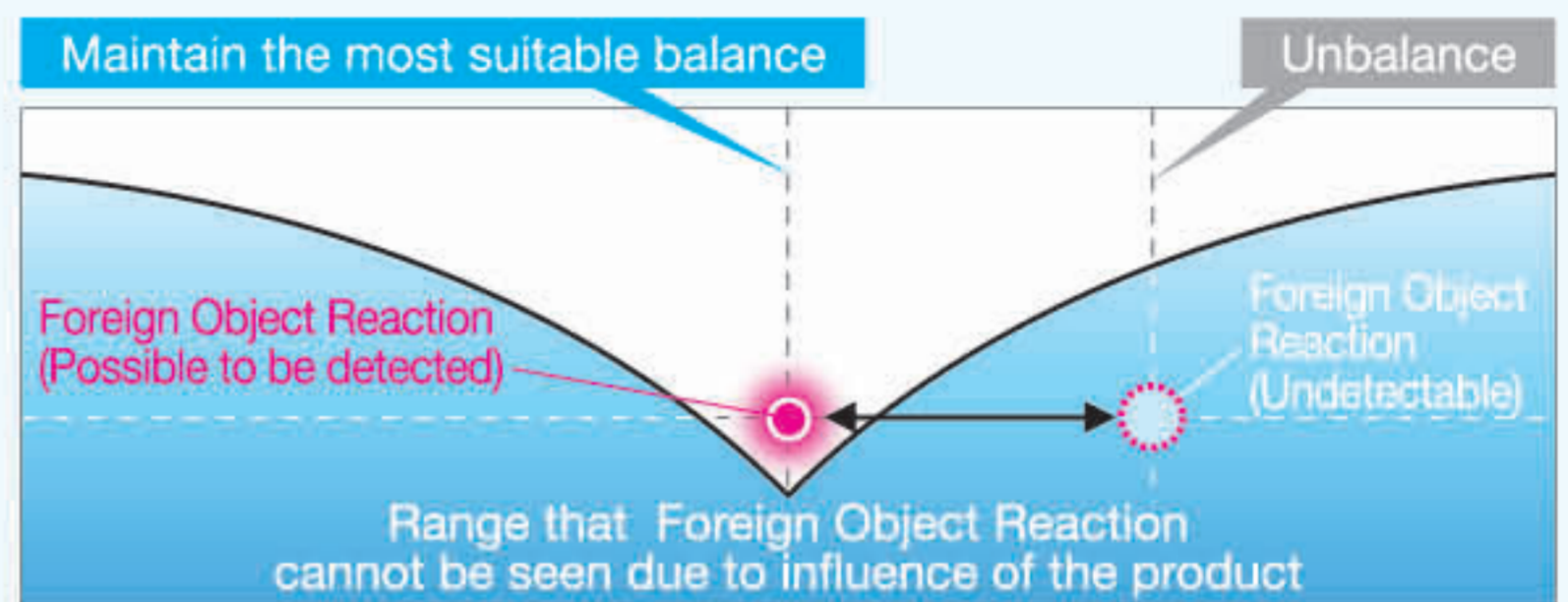
Both Fe and SUS foreign objects can be detected with high sensitivity. (System Square incorporated this 2-frequency inspection technology into the mass-production machines, first in the world and already has 20-year past experiences.)



Patent pending

## Auto-Balance Adjustment (Option)

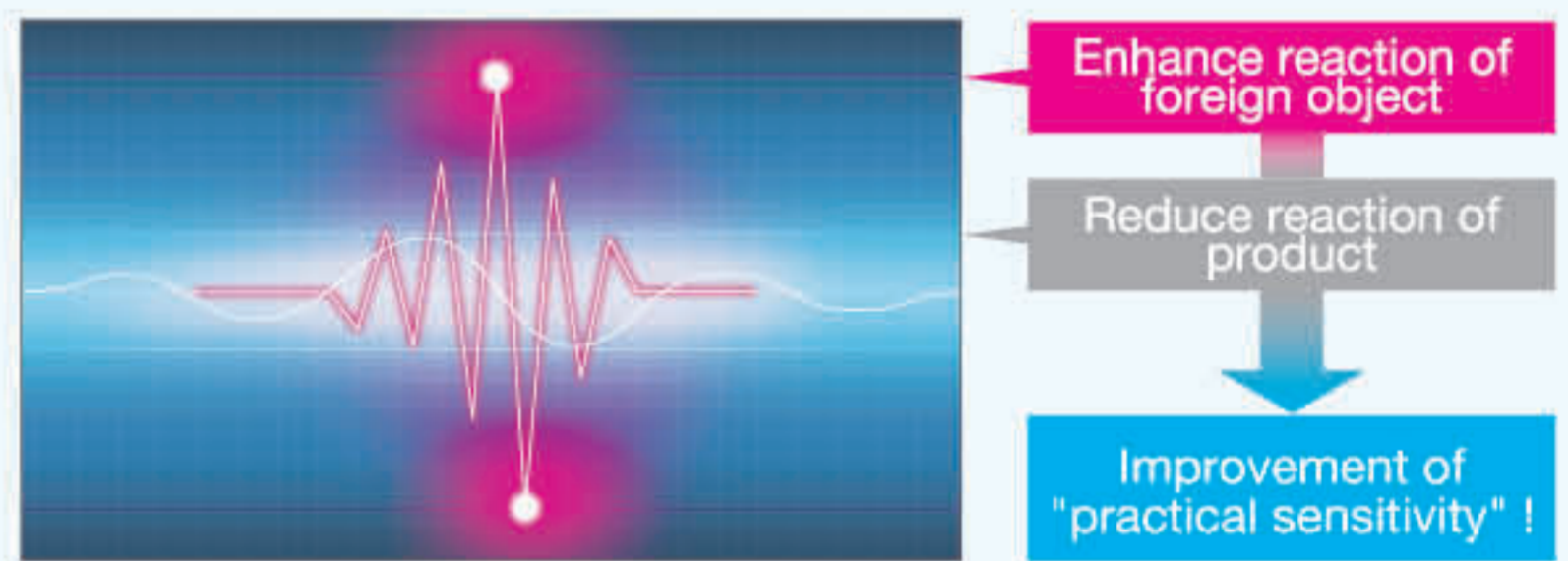
Automatically it keeps own electric balance, that is significant for stable detection, and can be deteriorated due to aging or temperature difference.



NEW

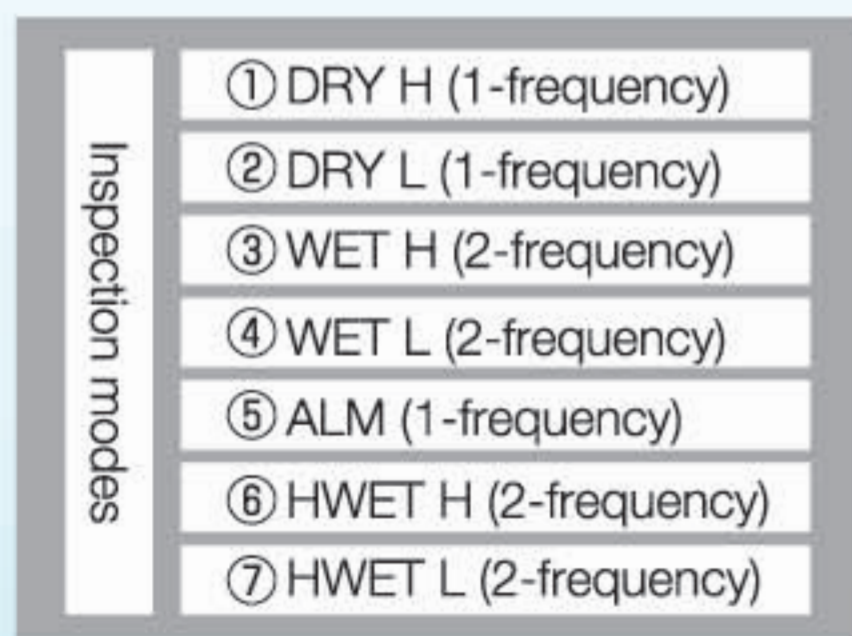
## -E mode- inspection

The new original algorithm enables higher sensitivity. It reduces product's effect (reaction) and amplifies metal effect. Especially it performs well for wet or salty products.



## Easy automatic sensitivity setting

- 1) Follow the guidance
- 2) put a product 2 - 3 times



Although the more options, the more difficult to select...



By following the guidance, the software leads to the optimum setting.



Up to 200 settings can be stocked.

## Make thickness of products flat, or make thickness of products thin

It is possible to keep stable sensitivity if the product is flat and thin, or if the product has no partial deflection in package.



## Keep temperature of product as low as possible. Avoid temperature change of product.

Product effect becomes bigger when the temperature of product becomes higher.



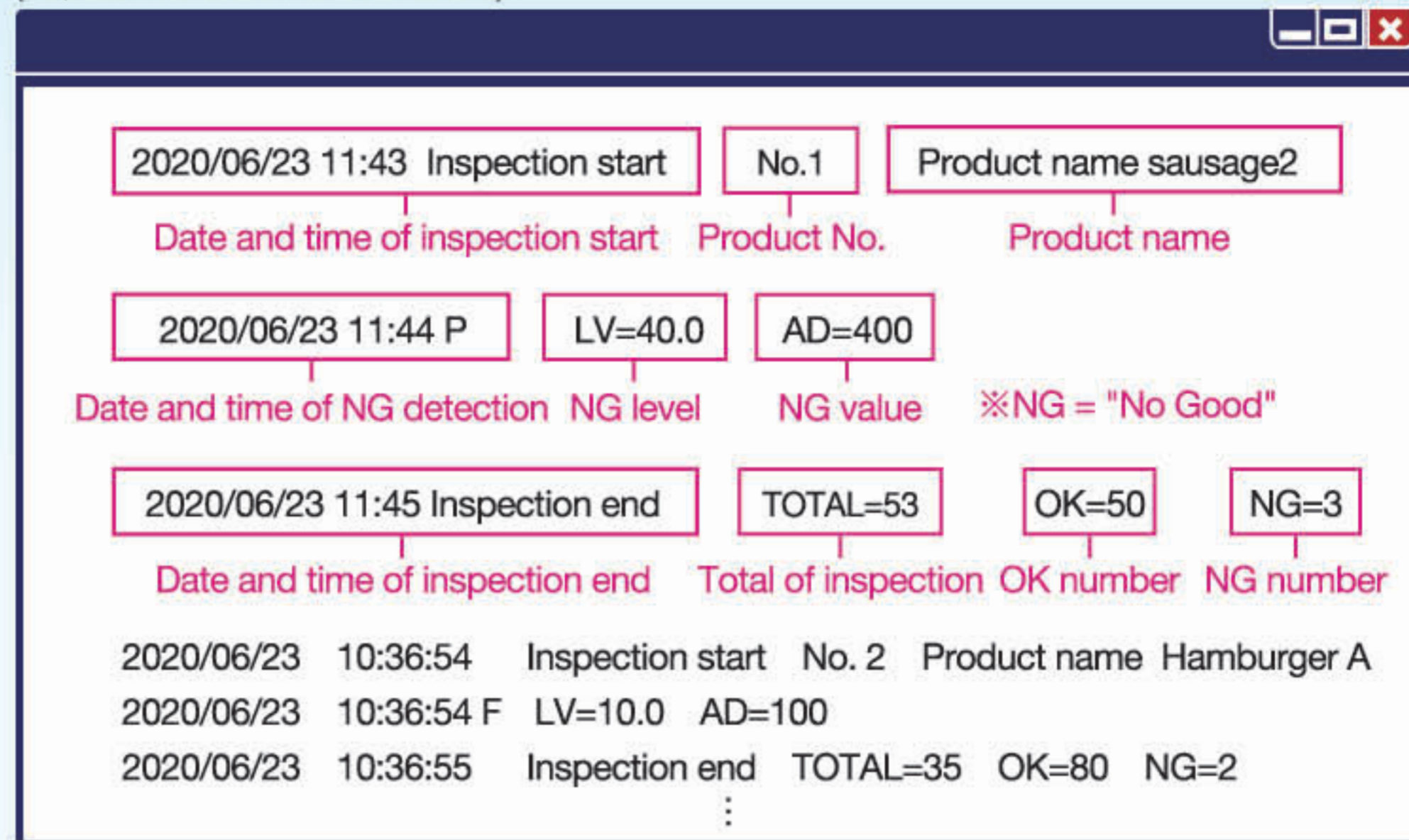
# Functions and features

**Extensive management functions**



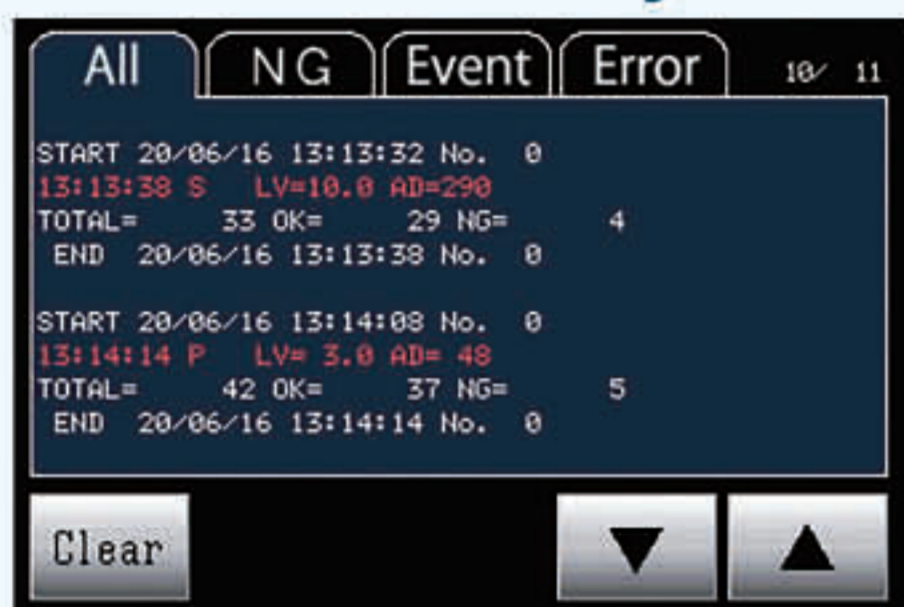
## USB data management (Option)

The inspection history data is transferred to PC for the management. (10,000 histories can be saved)



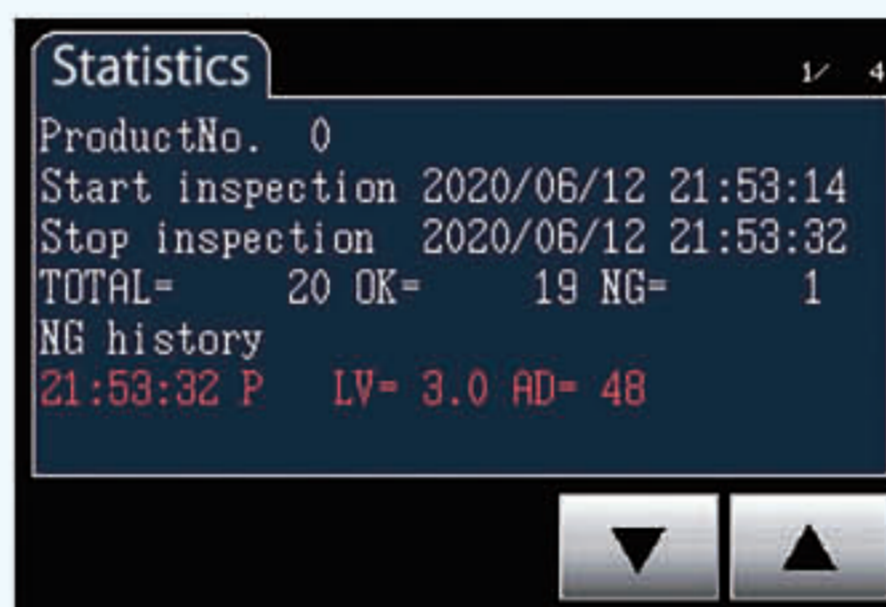
※Image of display on PC

## Enhanced history function



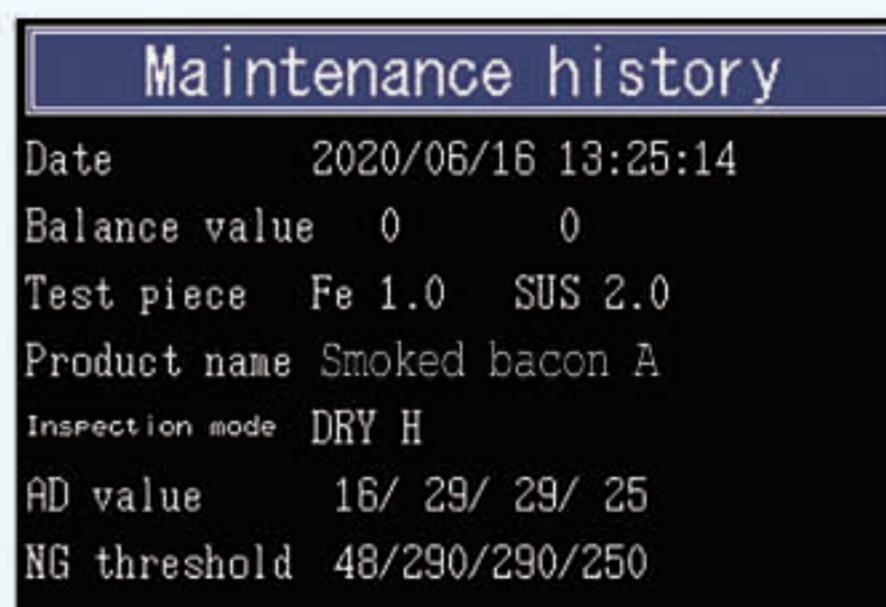
**Inspection history**

- Event** Work history, such as machine setting change
- Error** Machine and software error history



**Statistic display**

General history from the inspection start to the end. This display is used as inspection result daily report.

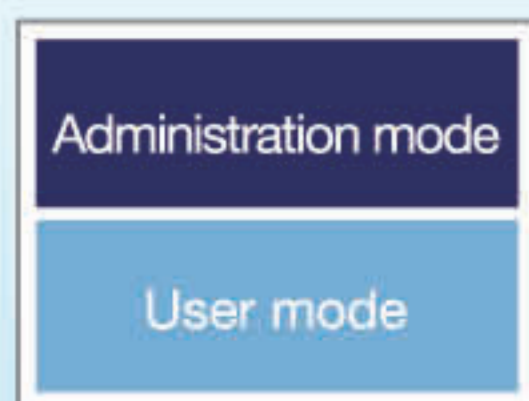
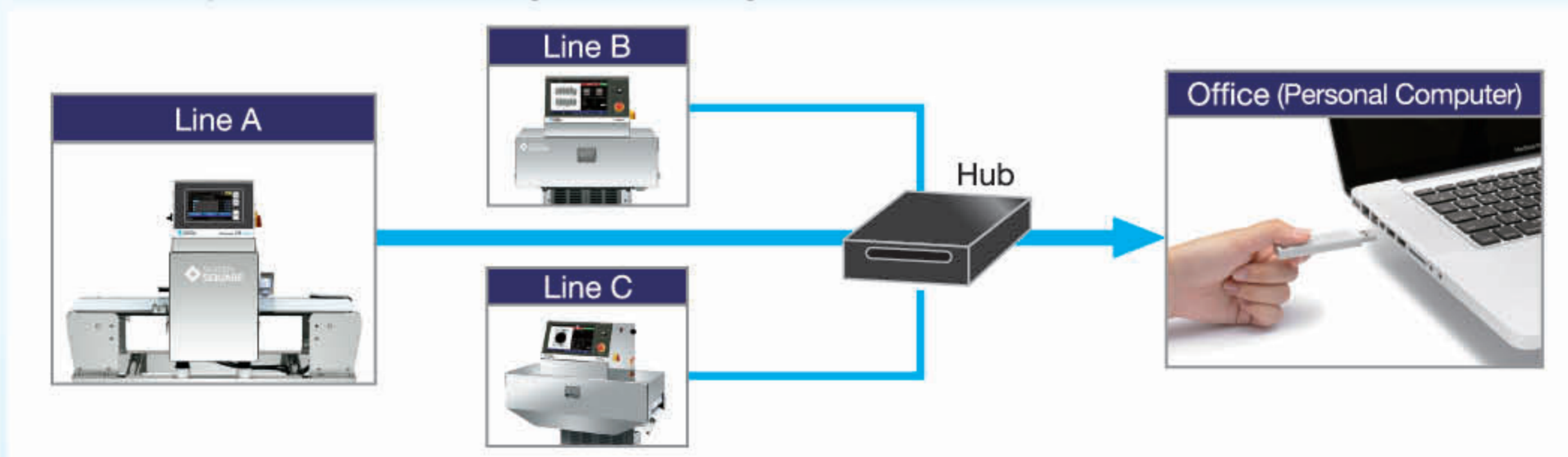


**Maintenance history**

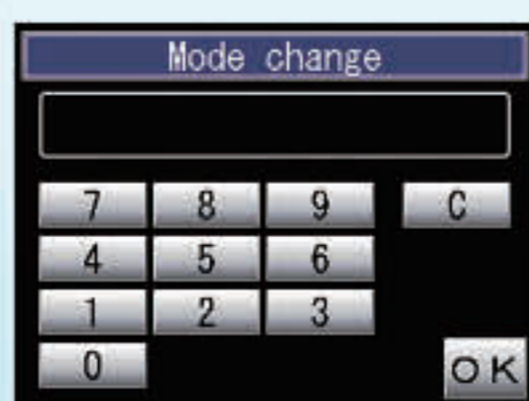
The final inspection records remain and can be checked later. This maintenance history is also useful as prevention of missing periodic inspection.

## Data management through network (Option)

The data of multiple machines can be managed with PC through the LAN network.



Access level mode



Pass word is required to change the mode.

## Access mode selection

Protect from incorrect settings by inexperienced operators. Pass word is required to change access mode.

## Enhanced communication function

4 serial ports and LAN port is available for communication between PC, labeler, bar code, printer, etc.

# Easy cleaning



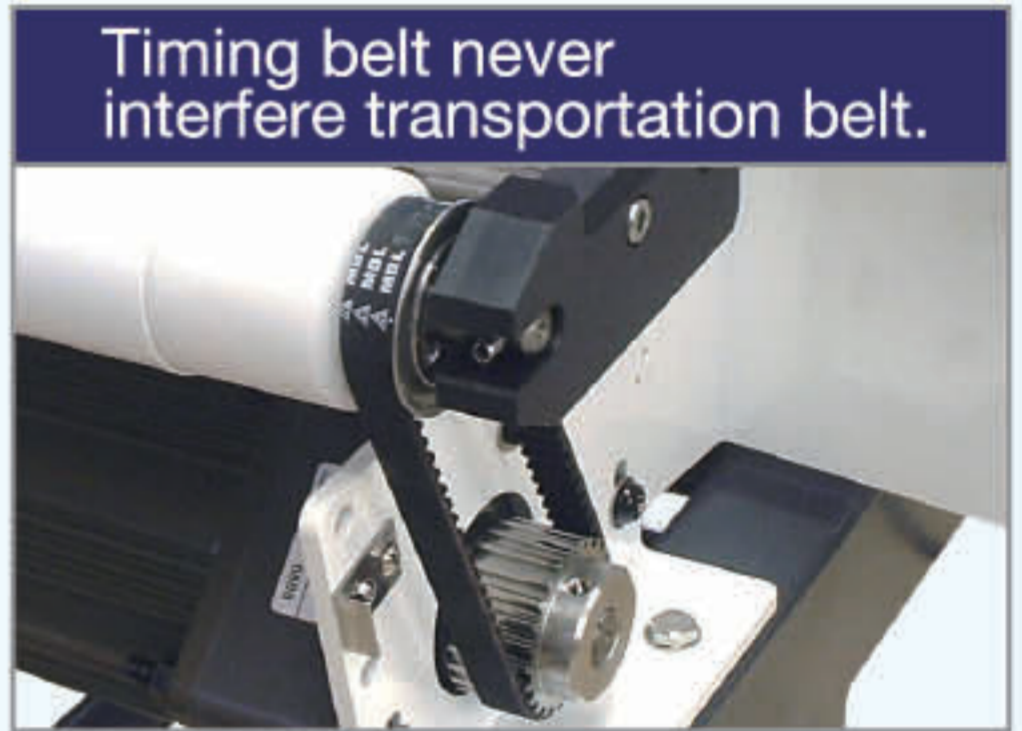
## Easy cleaning

One-touch detachment/attachment of the conveyors requiring the frequent cleaning ensures the sanitary system.



## Simple structure

Waterproofing model has simple frame structure made with stainless steel. It provides easy cleaning and high hygiene. Timing belt is located outside of frame, so that it never interferes transportation belt.



## The IP56 dust protection and waterproof standard is satisfied

The machine is capable of handling lines involved with water with sufficiently high sensitivity. It can be cleaned with water.

Hydraulic pressure	Water temperature	Detergent	Cleaning tools
	<p><b>40°C</b> Max.</p>	<p><b>Neutral detergent</b></p> <p>Consult us if ozone sterilization, alkaline/acid detergent or salt water is to be used.</p>	<ul style="list-style-type: none"> <li> Soft plastic brush</li> <li> Waste cloth</li> <li> Metal wire brush</li> </ul>

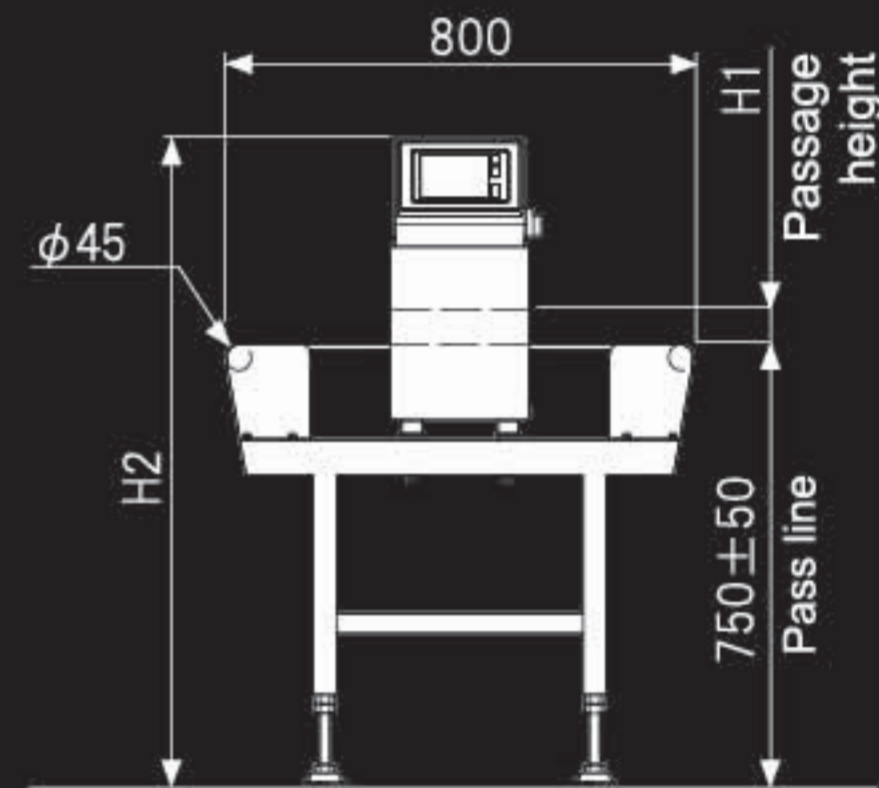
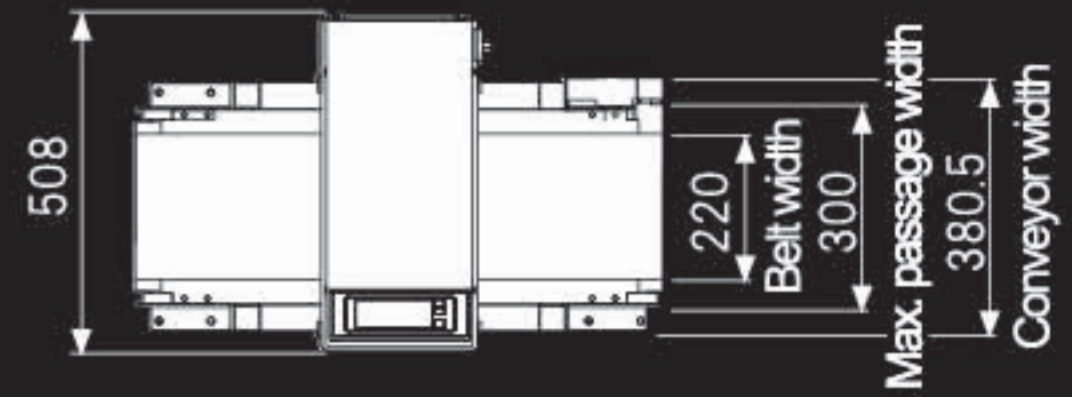
## Importance of the quality control increases further.

<p>PL (Product Liability)</p> <p>ISO (International Organization for Standardization)</p> <p>HACCP (Hazard Analysis &amp; Critical Control Point)</p>	<p>PL (Product Liability)</p> <p>When it is proven that the defect of the product has the casual relationship with the damage if the customer had the threat to life, personal injury, or property damage caused by the defect of the product, the manufacturer shall accept responsibility regardless of the intentional or negligent defect.</p>	<p>ISO (International Organization for Standardization)</p> <p>International standards to promote the distribution of goods and services. For example, there are quality assurance standard ISO9000 for the quality assurance management from the design phase to the after-sales service and environmental management standard ISO14001 for the production, service, and management.</p>	<p>HACCP (Hazard Analysis &amp; Critical Control Point)</p> <p>Hazard that may occur in the food processing is analyzed (HA) and critical control point needing particular measures for the hazard is found (CCP). This point is monitored strictly to maintain the safety.</p>
---	--	---	---

# Small size Metal Detectors SD3P-30Type



Waterproof



	H1	H2
SD3P-3006D/W	60	1103±50
SD3P-3008D/W	80	1113±50
SD3P-3010D/W	100	1133±50
SD3P-3012D/W	120	1153±50
SD3P-3015D/W	150	1183±50
SD3P-3018D/W	180	1213±50

Unit: mm

For inspection of small products,  
such as small snack bags  
Applicable to a passage width of up to 30 cm



Model(SD3P-XXXXD/W)	3006	3008	3010	3012	3015	3018	
Maximum passage width	300mm						
Maximum passage height	60mm	80mm	100mm	120mm	150mm	180mm	
Detection sensitivity	Fe	φ 0.35mm	φ 0.4mm	φ 0.45mm	φ 0.5mm	φ 0.55mm	φ 0.6mm
	SUS304	φ 0.65mm	φ 0.7mm	φ 0.8mm	φ 0.9mm	φ 0.95mm	φ 1.0mm
Conveyor speed	24m/min(50Hz)						
Conveyor size	800mm(length)×220mm(belt width)						
Upon detection of metal	Belt stopped, buzzer warning or automatic sorting (option)						
Weight capacity	3kg						
Operating environment	Temperature: 0 to 40°C, Humidity: 30 to 75%, No dew condensation allowed.						
Main power supply	AC100V±10%/AC200V±10%, 50/60Hz, 200VA						
Weight	84kg	82kg	83kg	84kg	86kg	88kg	

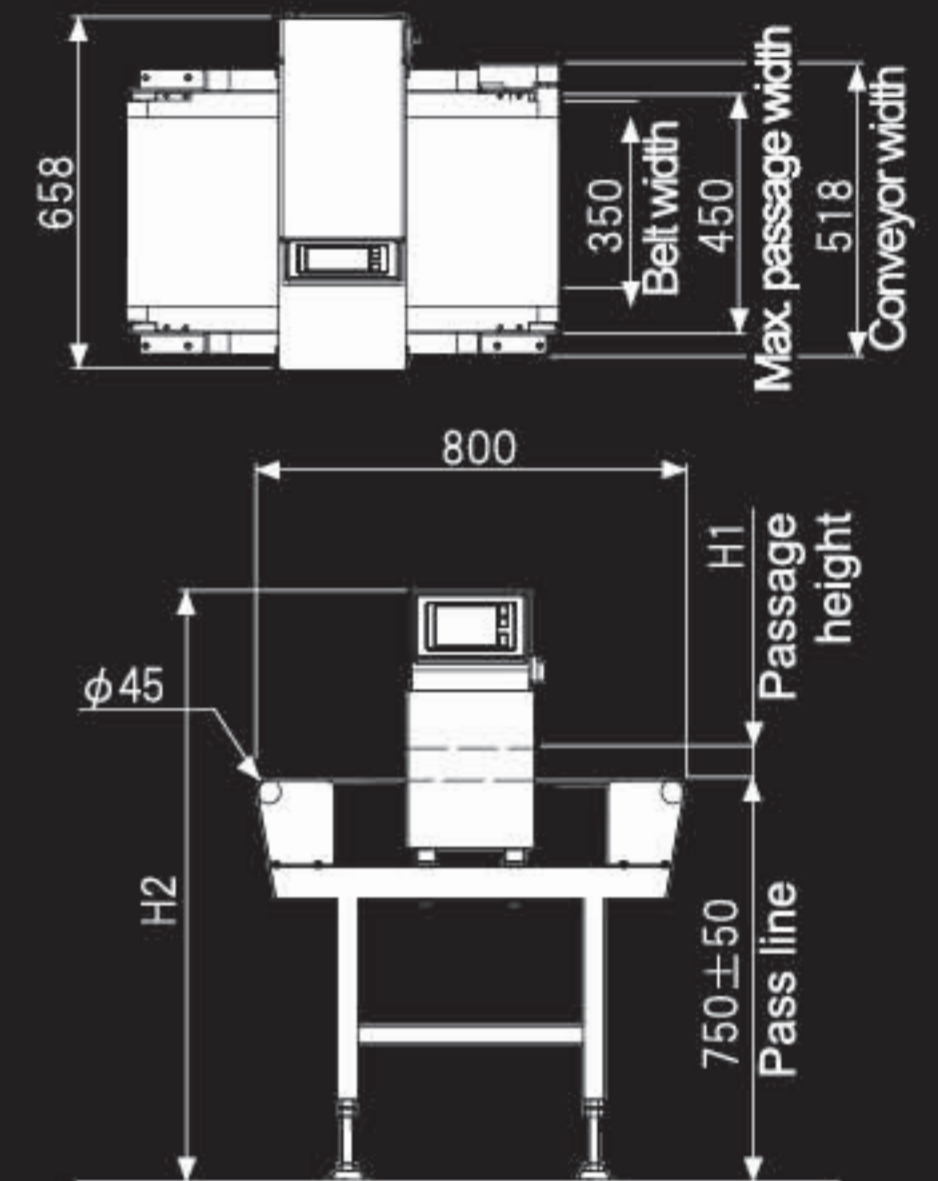
D (non-waterproof) / W (waterproof)

The detection sensitivity represent the values when only a test piece is fed over the belt surface. The detection sensitivity depends on the product and/or operating environment. Please make sure that something such as products are not going to hit the inside of the aperture. The specifications are subject to change without prior notice due to improvement.

# Medium size Metal Detectors SD3P-45Type



Non-waterproof



	H1	H2
SD3P-4506D/W	60	1103±50
SD3P-4508D/W	80	1113±50
SD3P-4510D/W	100	1133±50
SD3P-4512D/W	120	1153±50
SD3P-4515D/W	150	1183±50
SD3P-4518D/W	180	1213±50

Unit: mm

For inspection of products contained in larger trays  
Applicable to a passage width of up to 45 cm



Model(SD3P-XXXXD/W)	4506	4508	4510	4512	4515	4518	
Maximum passage width	450mm						
Maximum passage height	60mm	80mm	100mm	120mm	150mm	180mm	
Detection sensitivity	Fe	φ 0.4mm	φ 0.45mm	φ 0.5mm	φ 0.55mm	φ 0.6mm	φ 0.7mm
	SUS304	φ 0.7mm	φ 0.8mm	φ 0.9mm	φ 1.0mm	φ 1.1mm	φ 1.2mm
Conveyor speed	24m/min(50Hz)						
Conveyor size	800mm(length)×350mm(belt width)						
Upon detection of metal	Belt stopped, buzzer warning or automatic sorting (option)						
Weight capacity	3kg						
Operating environment	Temperature: 0 to 40°C, Humidity: 30 to 75%, No dew condensation allowed.						
Main power supply	AC100V±10%/AC200V±10%, 50/60Hz, 200VA						
Weight	109kg	107kg	108kg	109kg	112kg	115kg	

D (non-waterproof) / W (waterproof)

The detection sensitivity represent the values when only a test piece is fed over the belt surface. The detection sensitivity depends on the product and/or operating environment. Please make sure that something such as products are not going to hit the inside of the aperture. The specifications are subject to change without prior notice due to improvement.

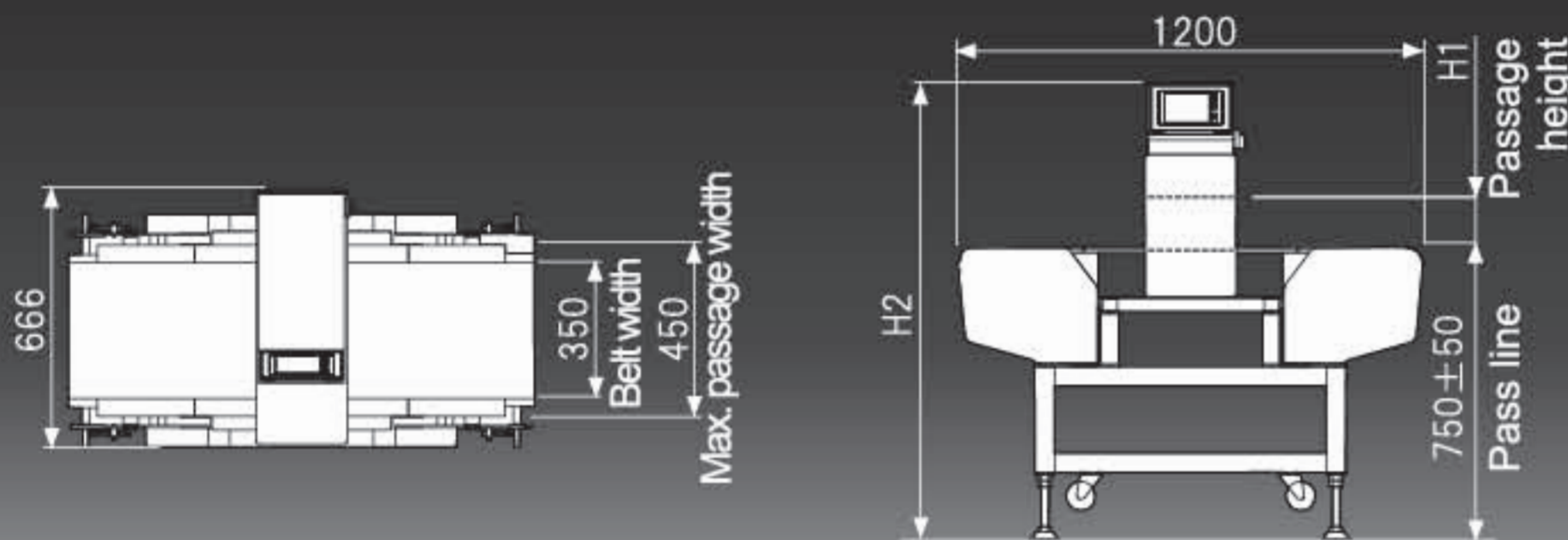
# Medium size Metal Detectors SD3P-45BType



Waterproof

Non-waterproof

\*Conveyor belt easy attach and remove system is option.



	H1	H2
SD3P-4505BD/W	50	1106±50
SD3P-4507BD/W	70	1106±50
SD3P-4509BD/W	90	1126±50
SD3P-4511BD/W	110	1146±50
SD3P-4514BD/W	140	1176±50
SD3P-4517BD/W	170	1206±50
SD3P-4520BD/W	200	1236±50
SD3P-4525BD/W	250	1286±50
SD3P-4530BD/W	300	1336±50
SD3P-4535BD/W	350	1386±50

Unit: mm

For inspection of products contained in large boxes and bags, such as rice, wheat flour, and cereals, etc

It copes with conveyance of heavy items (20kg) On the conveyor



Model(SD3P-XXXXBD/W)	4505	4507	4509	4511	4514	4517	4520	4525	4530	4535	
Maximum passage width	450mm										
Maximum passage height	50mm	70mm	90mm	110mm	140mm	170mm	200mm	250mm	300mm	350mm	
Detection sensitivity	Fe	φ 0.4mm	φ 0.45mm	φ 0.5mm	φ 0.55mm	φ 0.6mm	φ 0.7mm	φ 0.7mm	φ 0.8mm	φ 0.9mm	φ 1.0mm
	SUS304	φ 0.85mm	φ 0.9mm	φ 0.95mm	φ 1.0mm	φ 1.1mm	φ 1.2mm	φ 1.4mm	φ 1.5mm	φ 1.7mm	φ 2.0mm
Conveyor speed	24m/min(50Hz)										
Conveyor size	1200mm(length)×350mm(belt width)										
Upon detection of metal	Belt stopped, buzzer warning or automatic sorting (option)										
Weight capacity	20kg(In the case of Three-phase AC200V, it is possible to cope under 30kg)										
Operating environment	Temperature: 0 to 40°C, Humidity: 30 to 75%, No dew condensation allowed.										
Main power supply	AC100V±10%/AC200V±10%, 50/60Hz, 350VA or Three-phase AC200V±10%, 50/60Hz, 550VA(up to 30kg)										

D (non-waterproof) / W (waterproof)

The detection sensitivity represent the values when only a test piece is fed over the belt surface. The detection sensitivity depends on the product and/or operating environment. Please make sure that something such as products are not going to hit the inside of the aperture. The specifications are subject to change without prior notice due to improvement.

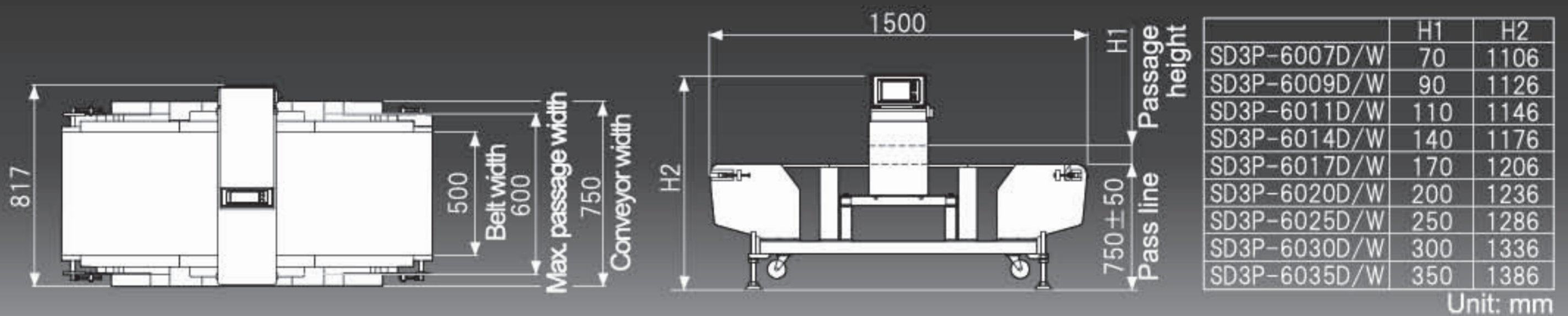
# Large size Metal Detectors SD3P-60Type



Waterproof

Non-waterproof

\*Conveyor belt easy attach and remove system is option.



For inspection of products contained in large boxes and bags, such as rice, wheat flour, and cereals, etc

Applicable to a passage width of up to 60 cm



Model(SD3P-XXXXD/W)	6007	6009	6011	6014	6017	6020	6025	6030	6035	
Maximum passage width	600mm									
Maximum passage height	70mm	90mm	110mm	140mm	170mm	200mm	250mm	300mm	350mm	
Detection sensitivity	Fe	φ 0.5mm	φ 0.55mm	φ 0.55mm	φ 0.6mm	φ 0.7mm	φ 0.8mm	φ 0.8mm	φ 1.0mm	φ 1.2mm
	SUS304	φ 1.0mm	φ 1.1mm	φ 1.2mm	φ 1.3mm	φ 1.5mm	φ 1.5mm	φ 1.5mm	φ 1.7mm	φ 2.0mm
Conveyor speed	24m/min(50Hz)									
Conveyor size	1500mm(length)×500mm(belt width)									
Upon detection of metal	Belt stopped, buzzer warning or automatic sorting (option)									
Weight capacity	20kg (In the case of Three-phase AC200V, it is possible to cope under 30kg)									
Operating environment	Temperature: 0 to 40°C, Humidity: 30 to 75%, No dew condensation allowed.									
Main power supply	AC100V±10%/AC200V±10%, 50/60Hz, 350VA or Three-phase AC200V±10%, 50/60Hz, 550VA(up to 30kg)									
Weight	186kg	187kg	188kg	194kg	199kg	202kg	204kg	210kg	216kg	

D (non-waterproof) / W (waterproof)

The detection sensitivity represent the values when only a test piece is fed over the belt surface. The detection sensitivity depends on the product and/or operating environment. Please make sure that something such as products are not going to hit the inside of the aperture. The specifications are subject to change without prior notice due to improvement.

# Large size Metal Detectors SD3P-80Type

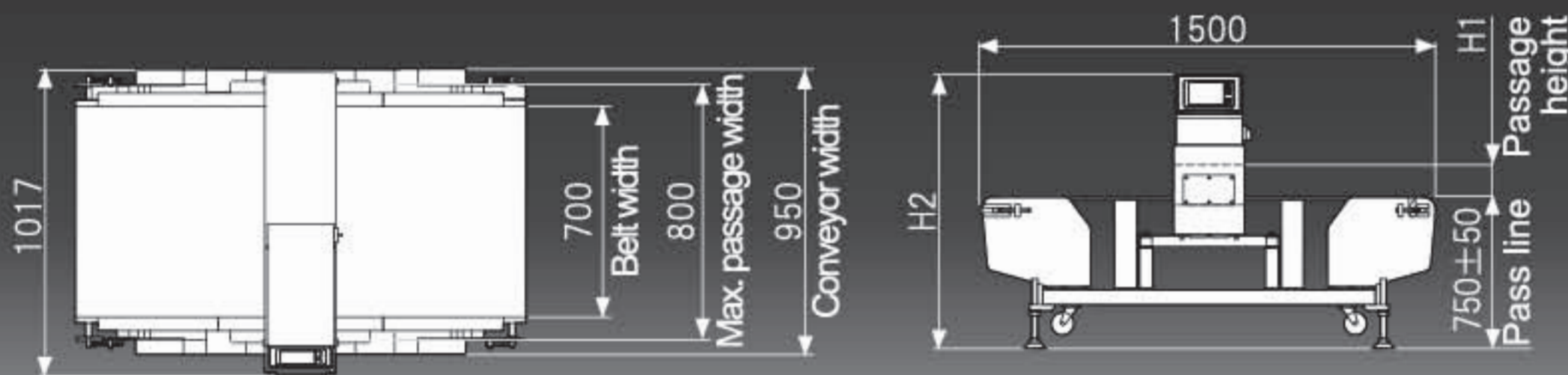


Waterproof



Non-waterproof

\*Conveyor belt easy attach and remove system is option.



	H1	H2
SD3P-8014D/W	140	966
SD3P-8017D/W	170	996
SD3P-8020D/W	200	1026
SD3P-8025D/W	250	1086
SD3P-8030D/W	300	1136
SD3P-8035D/W	350	1186

Unit: mm

**For inspection of larger box and bag products**  
Applicable to a passage width of up to 80 cm

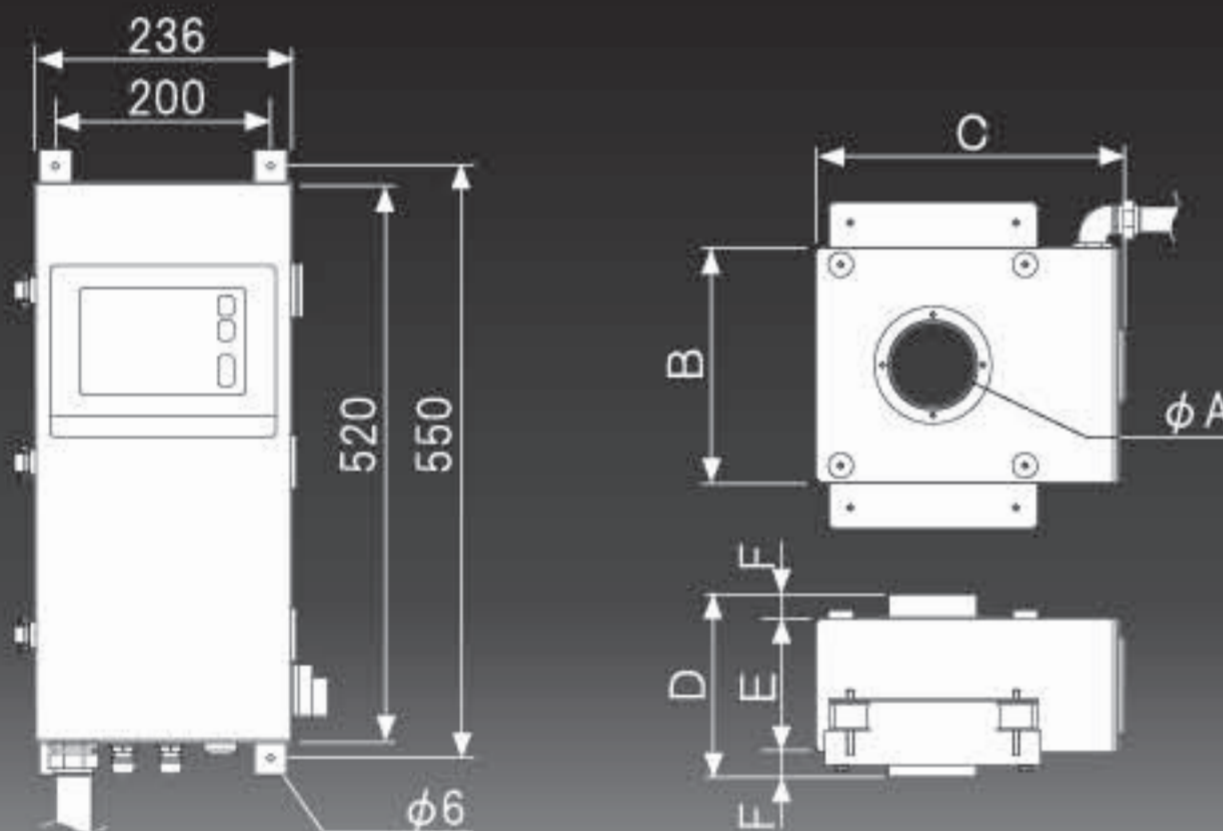
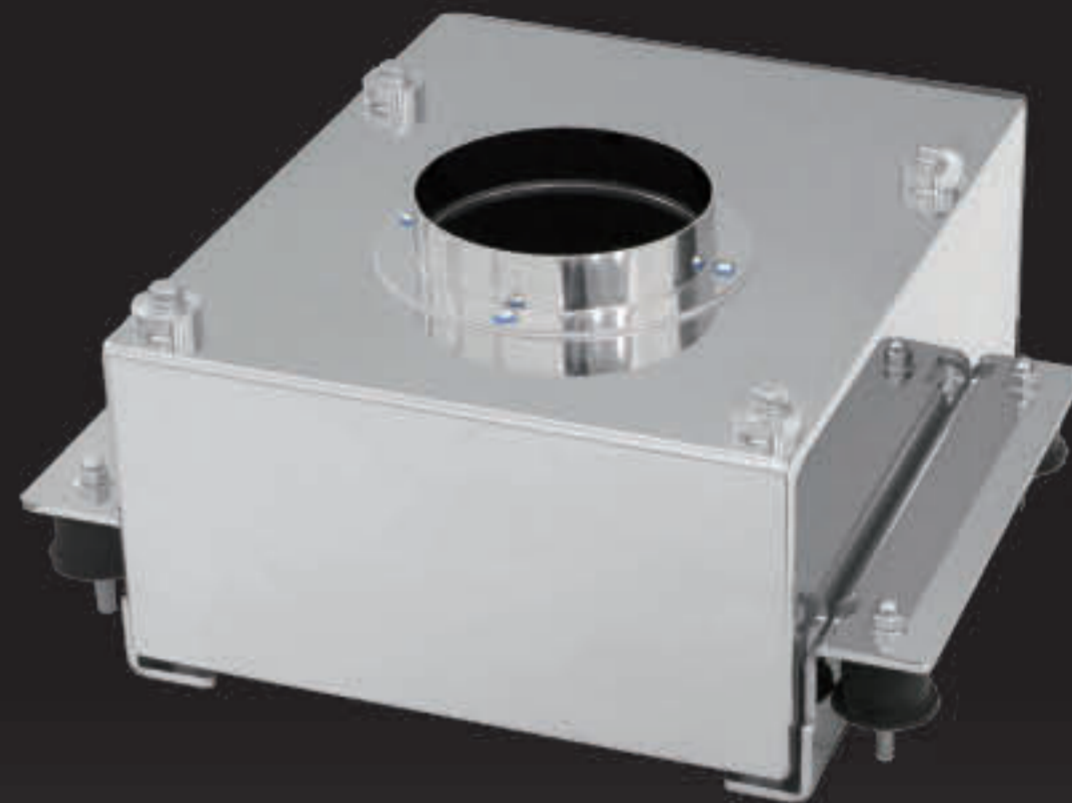


Model(SD3P-XXXXD/W)	8014	8017	8020	8025	8030	8035	
Maximum passage width	800mm						
Maximum passage height	140mm	170mm	200mm	250mm	300mm	350mm	
Detection sensitivity	Fe	φ 0.8mm	φ 0.9mm	φ 1.0mm	φ 1.2mm	φ 1.5mm	φ 2.0mm
	SUS304	φ 1.5mm	φ 1.5mm	φ 1.5mm	φ 2.0mm	φ 2.4mm	φ 2.5mm
Conveyor speed	24m/min(50Hz)						
Conveyor size	1500mm(length)×700mm(belt width)						
Upon detection of metal	Belt stopped, buzzer warning or automatic sorting (option)						
Weight capacity	20kg (In the case of Three-phase AC200V, it is possible to cope under 30kg)						
Operating environment	Temperature: 0 to 40°C, Humidity: 30 to 75%, No dew condensation allowed.						
Main power supply	AC100V±10%/AC200V±10%, 50/60Hz, 350VA or Three-phase AC200V±10%, 50/60Hz, 550VA(up to 30kg)						
Weight	223kg	226kg	229kg	237kg	245kg	253kg	

D (non-waterproof) / W (waterproof)

The detection sensitivity represent the values when only a test piece is fed over the belt surface. The detection sensitivity depends on the product and/or operating environment. Please make sure that something such as products are not going to hit the inside of the aperture. The specifications are subject to change without prior notice due to improvement.

# Circular type Metal Detectors

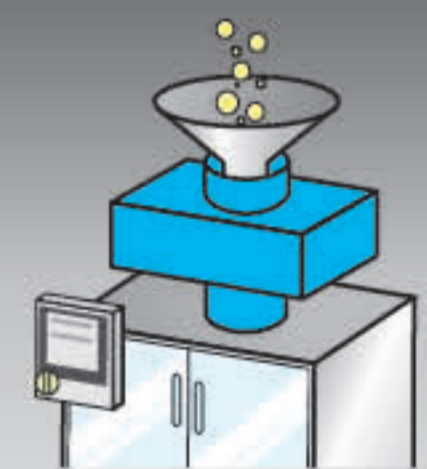


	A	B	C	D	E	F
SD3P-080CD/W	80	280	369	220	160	30
SD3P-100CD/W	100	280	369	220	160	30
SD3P-130CD/W	130	310	399	220	160	30
SD3P-150CD/W	150	330	419	260	160	50
SD3P-180CD/W	180	360	449	260	160	50
SD3P-200CD/W	200	380	469	260	160	50
SD3P-250CD/W	250	430	519	360	160	100

Unit: mm

For inspection of rice, wheat flour, bread crumbs, snack food, cereals, and pellets, etc.

This model is suitable for inspection of products that drop naturally. A compact coil can be assembled into the pipe line.



Model(SD3P-XXXCD/W)		080	100	130	150	180	200	250
Coil diameter		φ 80mm	φ 100mm	φ 130mm	φ 150mm	φ 180mm	φ 200mm	φ 250mm
Maximum passage width (Reference value)		φ 60mm	φ 80mm	φ 110mm	φ 130mm	φ 160mm	φ 180mm	φ 230mm
Detection sensitivity	Fe	φ 0.4mm	φ 0.4mm	φ 0.5mm	φ 0.5mm	φ 0.6mm	φ 0.7mm	φ 0.8mm
	SUS304	φ 0.7mm	φ 0.7mm	φ 0.8mm	φ 0.8mm	φ 1.0mm	φ 1.2mm	φ 1.5mm
Amount of processing (Reference value)	Minute powder	1t/h	2t/h	3.5t/h	5t/h	7t/h	9t/h	15t/h
	Soybean	2t/h	4t/h	7t/h	10t/h	14t/h	18t/h	30t/h
Upon detection of metal		Buzzer warning, detection signal						
Operating environment		Temperature: 0 to 40°C, Humidity: 30 to 75%, No dew condensation allowed.						
Main power supply		AC100 - 240V±10%, 50/60Hz, 120VA						
Weight		35kg	37kg	45kg	50kg	52kg	53kg	58kg

D (non-waterproof) / W (waterproof)

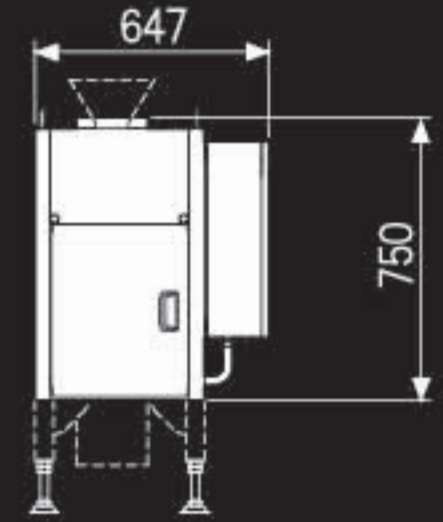
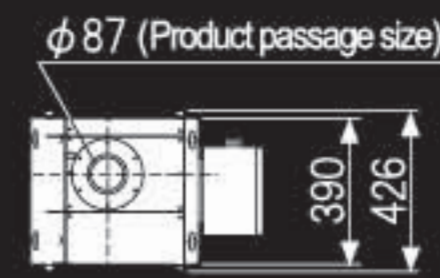
The detection sensitivity represent the values when only a test piece is passed through the aperture. The detection sensitivity depends on the product and/or operating environment. Please make sure that something such as products are not going to hit the inside of the aperture. The specifications are subject to change without prior notice due to improvement.

# Drop type Metal Detectors

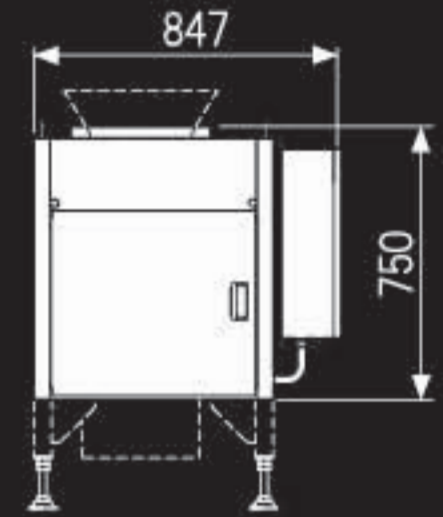
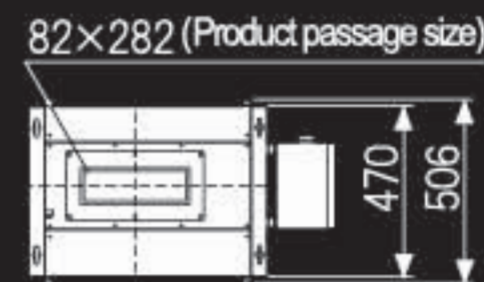


\* Entrance hopper and stand is option.

SD3P-100CD/W-DF1710



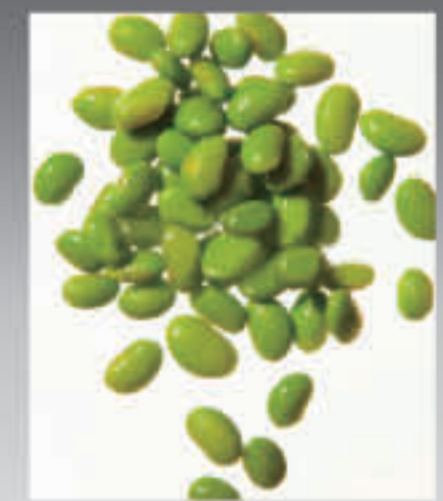
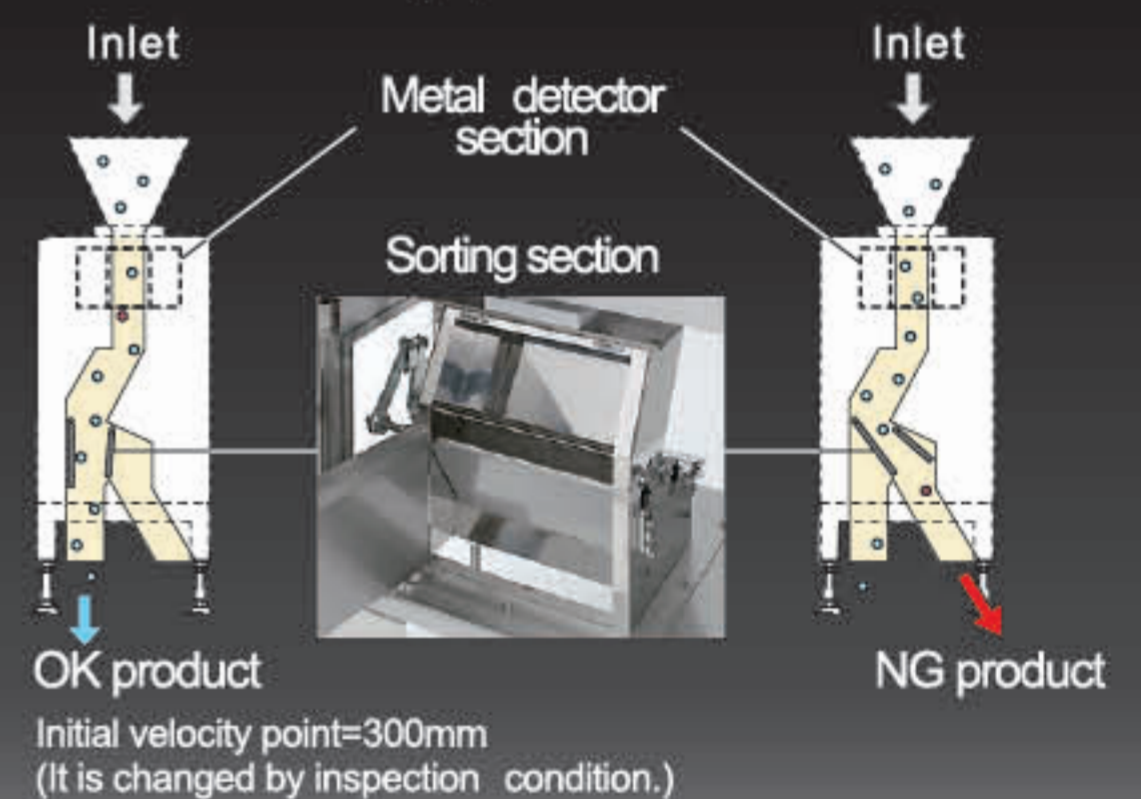
SD3P-3008CD/W-DF3010



\* The sections indicated with dotted line are option.

Unit: mm

### Schematics of sorting operation



## For inspection of rice, wheat flour, and plastic pellets, etc.

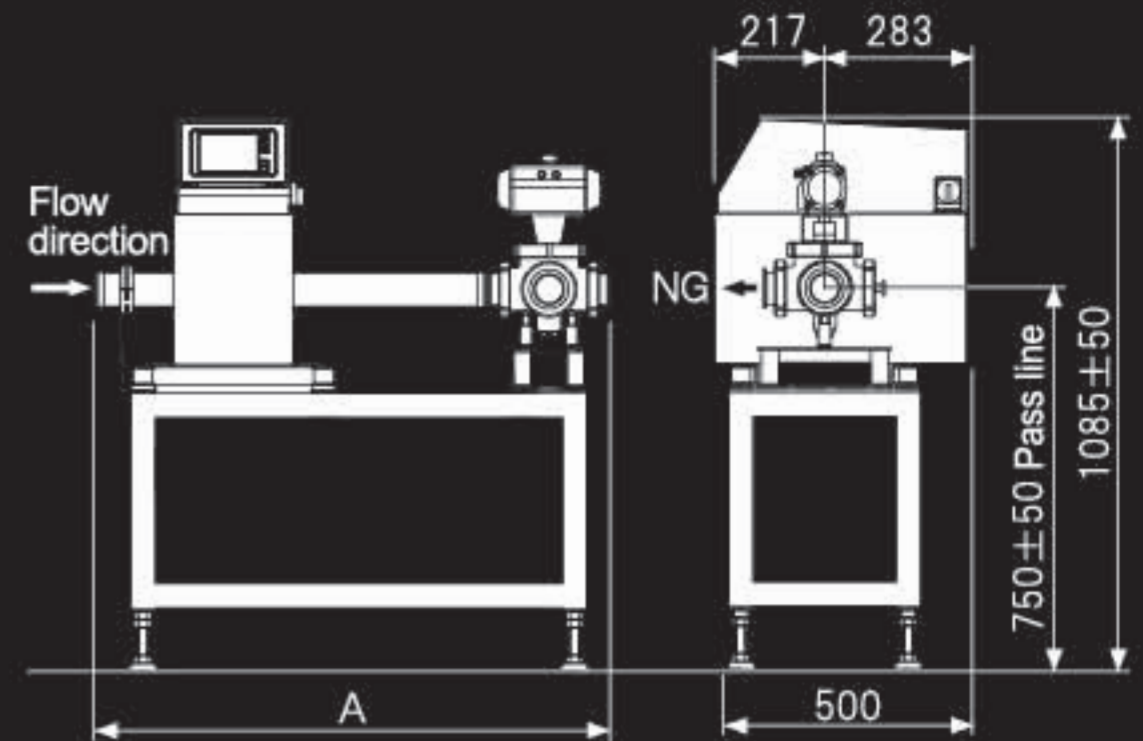
This model is suitable for inspection of products that drop naturally. Sorting machine is incorporated.

Model		SD3P-100CD/W-DF1710	SD3P-3008CD/W-DF3010
Maximum passage width		φ 87mm	82×282mm
Detection sensitivity	Fe	φ 0.4mm	φ 0.5mm
	SUS304	φ 0.7mm	φ 1.0mm
Sorting method		Integrated damper-type sorter	
Air supply source		0.5-0.7Mpa	
Amount of processing(Reference value)		Minute powder...2t/h Soybean...4t/h	Minute powder...6t/h Soybean...12t/h
Operating environment		Temperature: 0 to 40°C, Humidity: 30 to 75%, No dew condensation allowed.	
Main power supply		AC100 - 240V±10%, 50/60Hz, 120VA	
Weight		99kg	170kg

D (non-waterproof) / W (waterproof)

The detection sensitivity represent the values when only a test piece is passed through the aperture. The detection sensitivity depends on the product and/or operating environment. Please make sure that something such as products are not going to hit the inside of the aperture. The specifications are subject to change without prior notice due to improvement.

# Pipe transfer type Metal Detectors



Pipe size (inch)	1.0	1.5	2.0	2.5	3.0
A (mm)	975	985	1000	1010	1020



\* Elbow for NG product discharge is option.

For inspection of paste or fluid products, such as miso, minced meat, or jam.

Pipe is detachable with one-touch operation and capable of easy cleaning.



Model (SD3P-100RW-XXX)		1.0S	1.5S	2.0S	2.5S	3.0S
Detection sensitivity	Fe			φ 0.4mm		
	SUS304			φ 0.7mm		
Inside diameter of coil opening		φ 100mm				
Pipe size		1.0inch	1.5inch	2.0inch	2.5inch	3.0inch
Height of inlet/outlet		750mm				
Ferrule shape		IDFerrule				
Maximum passage flow rate*1		500L/h	1200L/h	2000L/h	4500L/h	7000L/h
Accessory		Hook spanner, clamp				

Model (SD3P-100RW-XXX)		1.0S	1.5S	2.0S	2.5S	3.0S
Withstand pressure*2		0.8MPa	0.7MPa	0.5MPa	0.5MPa	0.5MPa
Heatproof temperature*2		80°C				
Sorting method		Air driven 3-way ball valve				
Ball valve operation		Operating temperature range: -5°C to 95°C, Max. operating pressure: 0.7 MPa, IP55				
Air supply source		0.4-0.7Mpa				
Operating environment		Temperature: 0 to 40°C, Humidity: 30 to 75%, No dew condensation allowed.				
Main power supply		AC100 - 240V ±10%, 50/60Hz, 120VA				
Weight		91kg	94kg	100kg	107kg	111kg

\*1: The flow rate may drop as the selection valve change-over time is needed depending on the viscosity of the fluid to be used.

\*2: This shows reference values in the case of 20°C. The withstand pressure may depend on the operating temperature. Contact System Square for further information. D (non-waterproof) / W (waterproof)

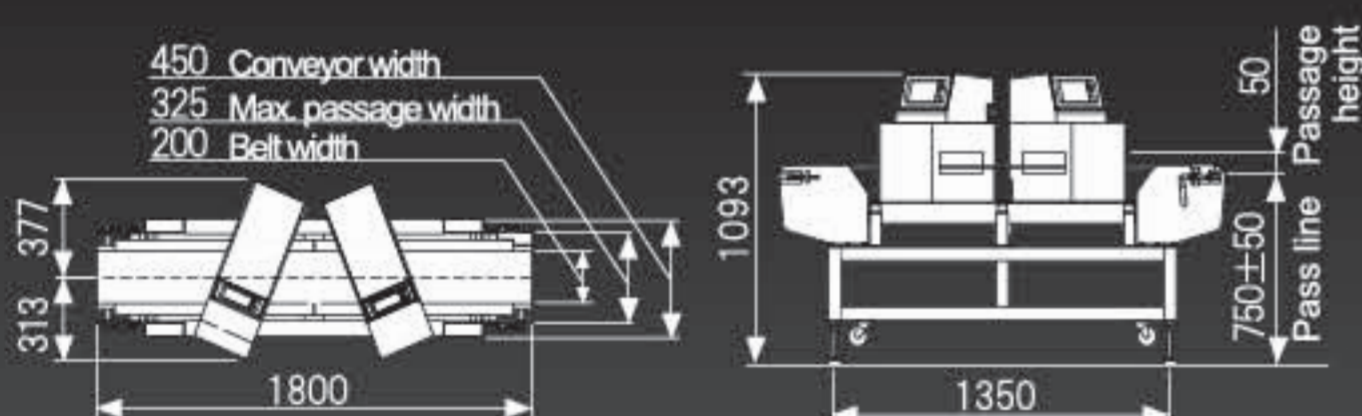
The detection sensitivity represent the values when only a test piece is passed through the aperture. The detection sensitivity depends on the product and/or operating environment. Please make sure that something such as products are not going to hit the inside of the aperture. The specifications are subject to change without prior notice due to improvement.

# Metal Detectors for needles

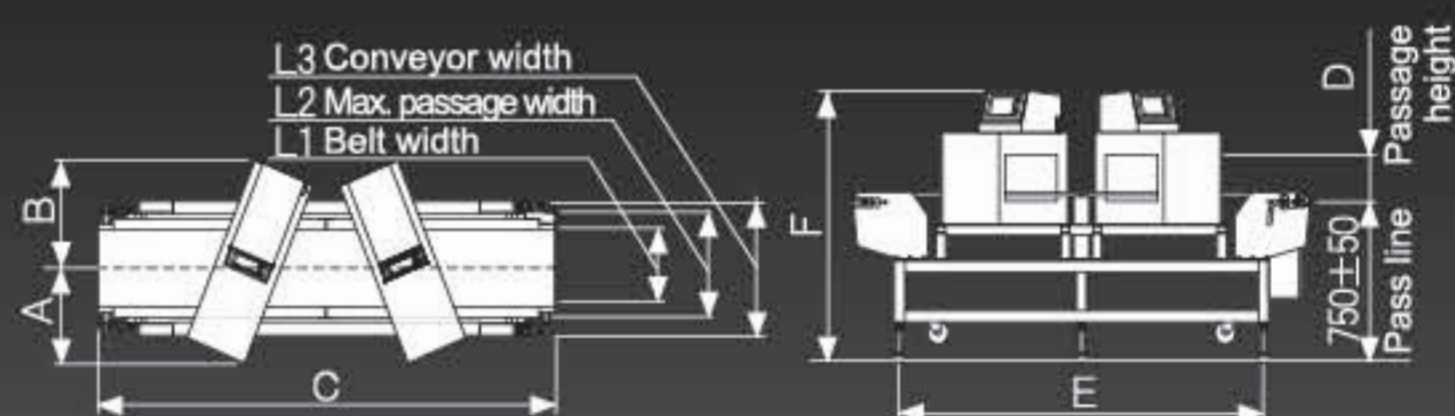


\* Conveyor belt easy attach and remove system is option.

SD3P-4505VW



SD3P-6518PVW / SD3P-9618PVW / SD3P-11825PVW



	L1	L2	L3	A	B	C	D	E	F
SD3P-6518PVW	350	485	600	424	488	2200	180	1750	1205
SD3P-9618PVW	500	770	750	567	632	2600	180	2150	1205
SD3P-11825PVW	700	980	950	668	734	2800	250	2350	1285

Unit: mm

For inspection of block meat, such as beef and pork.

Even magnetized needles used for baby pigs which cannot be detected conventionally can be detected accurately.



Model(SD3P-XXXXVW)		4505	6518P	9618P	11825P
Maximum passage width		325mm	485mm	770mm	980mm
Maximum passage height		50mm	180mm		250mm
Detection sensitivity	Fe	φ 0.6mm	φ 1.2mm	φ 1.8mm	φ 2.0mm
Conveyor speed		24m/min(50Hz)			
Conveyor size	Belt width	200mm	350mm	500mm	700mm
	Length	1800mm	2200mm	2600mm	2800mm
Upon detection of metal		Belt stopped, buzzer warning or automatic sorting (option)			
Weight capacity		20kg	30kg		
Coil type		Concentric loop coil		Opposed coil	
Operating environment		Temperature: 0 to 40°C, Humidity: 30 to 75%, No dew condensation allowed.			
Main power supply		AC100V±10%, 50/60Hz, 450VA		Three-phase AC200V±10%, 50/60Hz, 700VA	
Weight		210kg	300kg	380kg	500kg

D (non-waterproof) / W (waterproof)

The detection sensitivity represent the values when only a test piece is fed over the belt surface. The detection sensitivity depends on the product and/or operating environment. Please make sure that something such as products are not going to hit the inside of the aperture. The specifications are subject to change without prior notice due to improvement.

# Special machines

Seal Inspection Machine with Metal Detector



Top seal



Vertical type



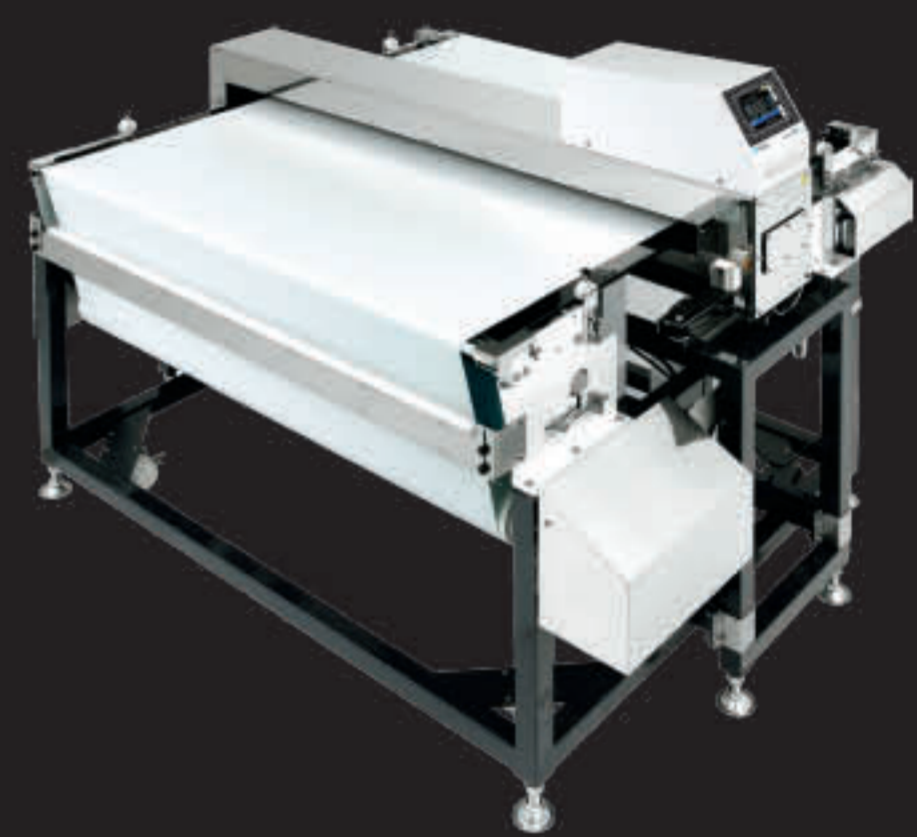
Chute type



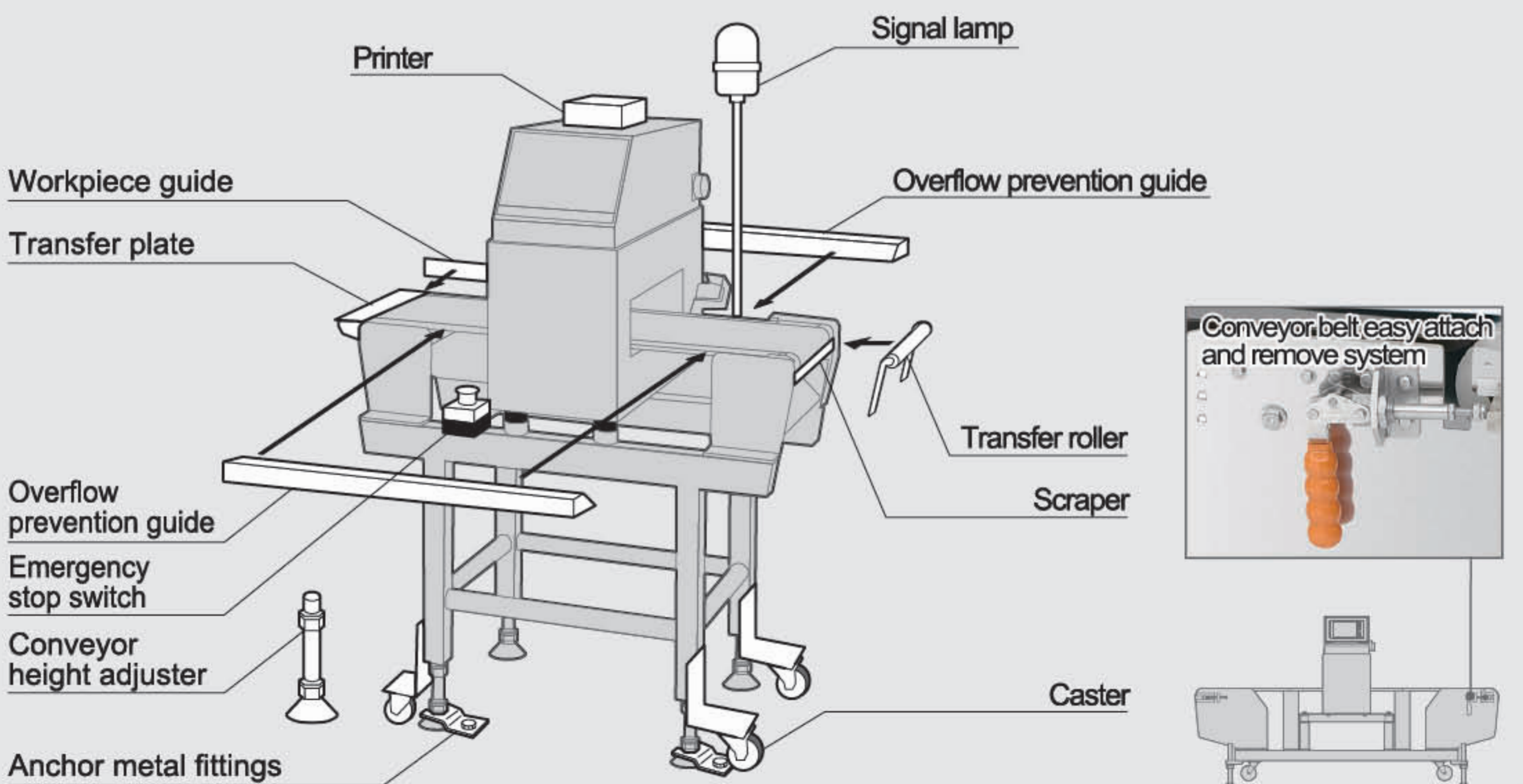
Drop type



Wide type



# Options

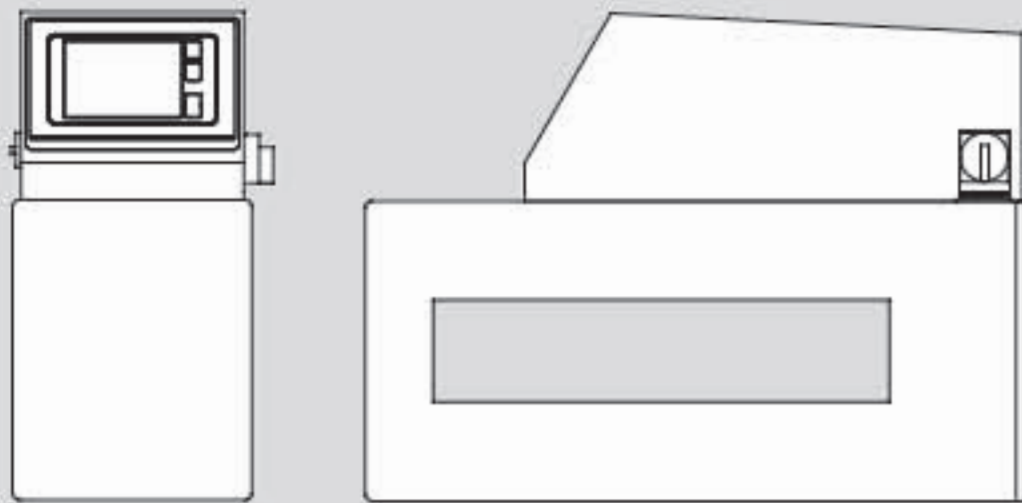


# Coils

Inspection coils are also available for solo sale.

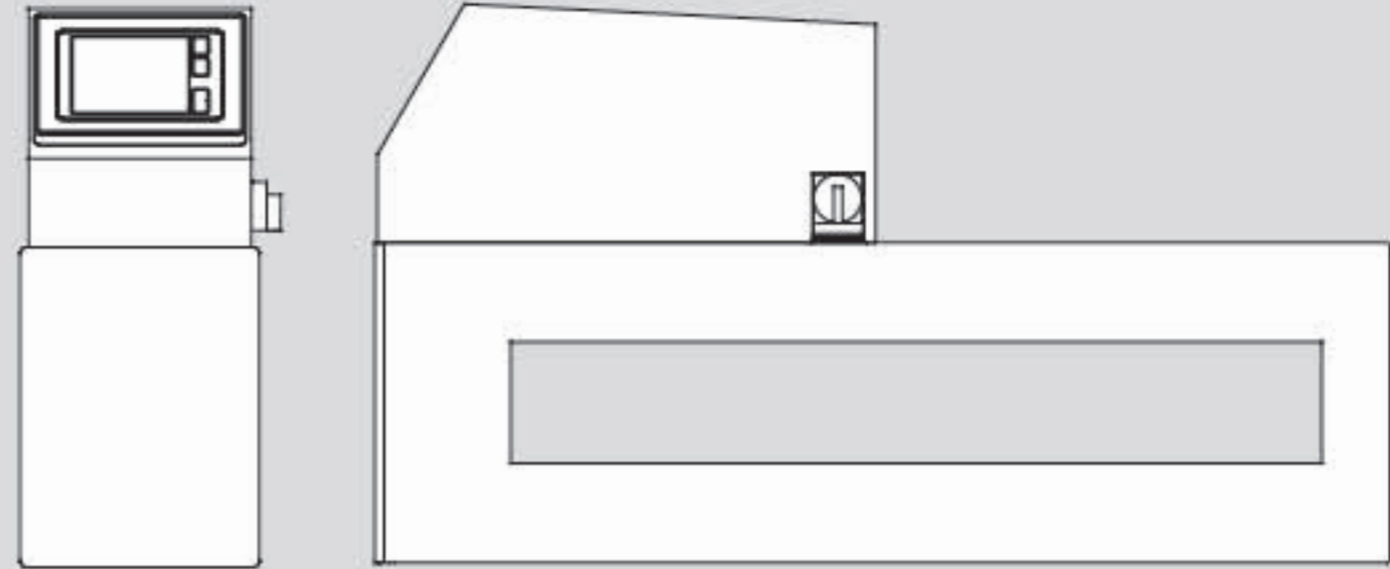
## ◆ Appearance figure

SD3P-30, 45, 60 type



\*Anti-vibration rubber and mounting brackets are optional.

SD3P-80 type

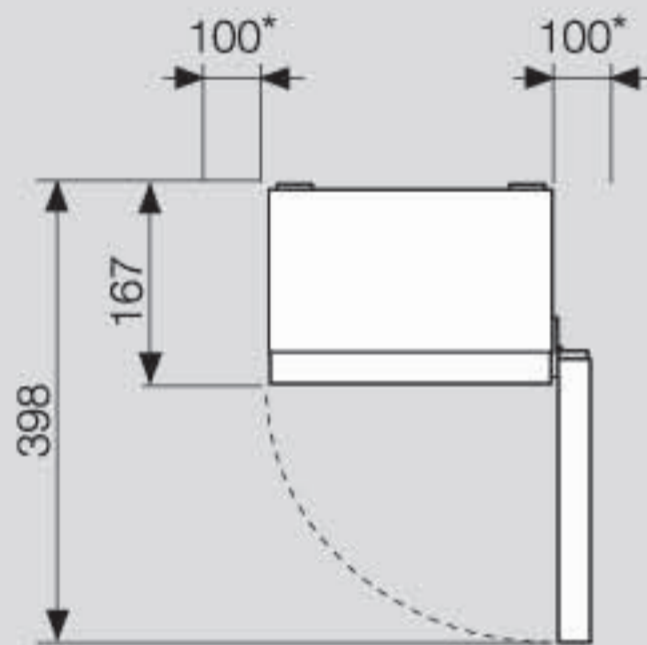


\*Anti-vibration rubber and mounting brackets are optional.

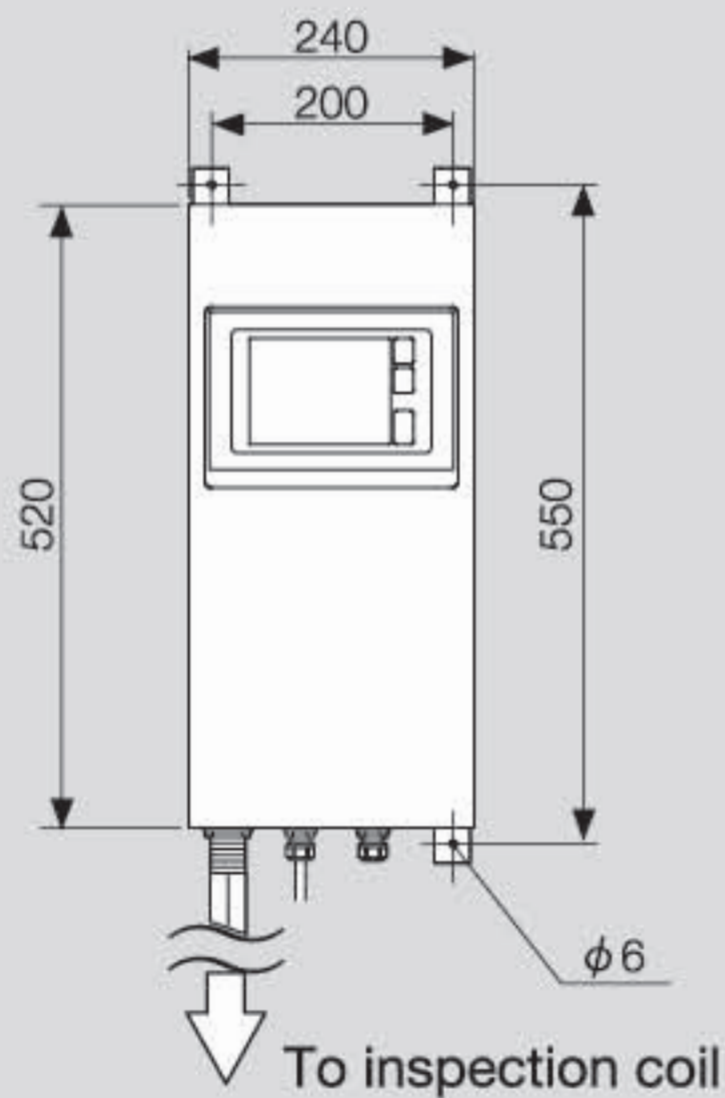
\*Please contact us for other special specifications.

## ◆ Separates type (Type with the indicator separated from the coil)

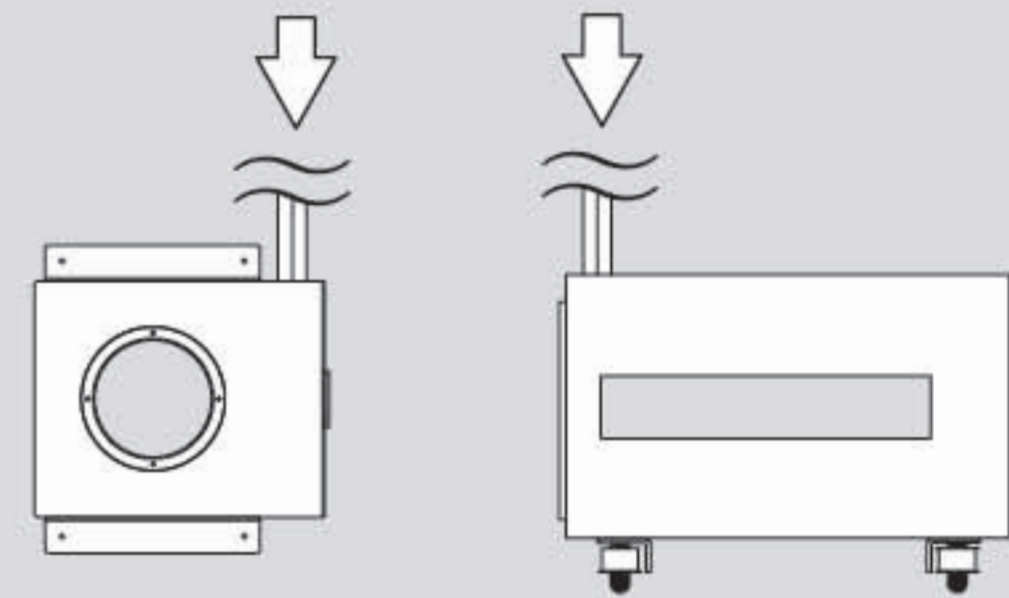
Indicator



\*Maintenance space



Coil



Size

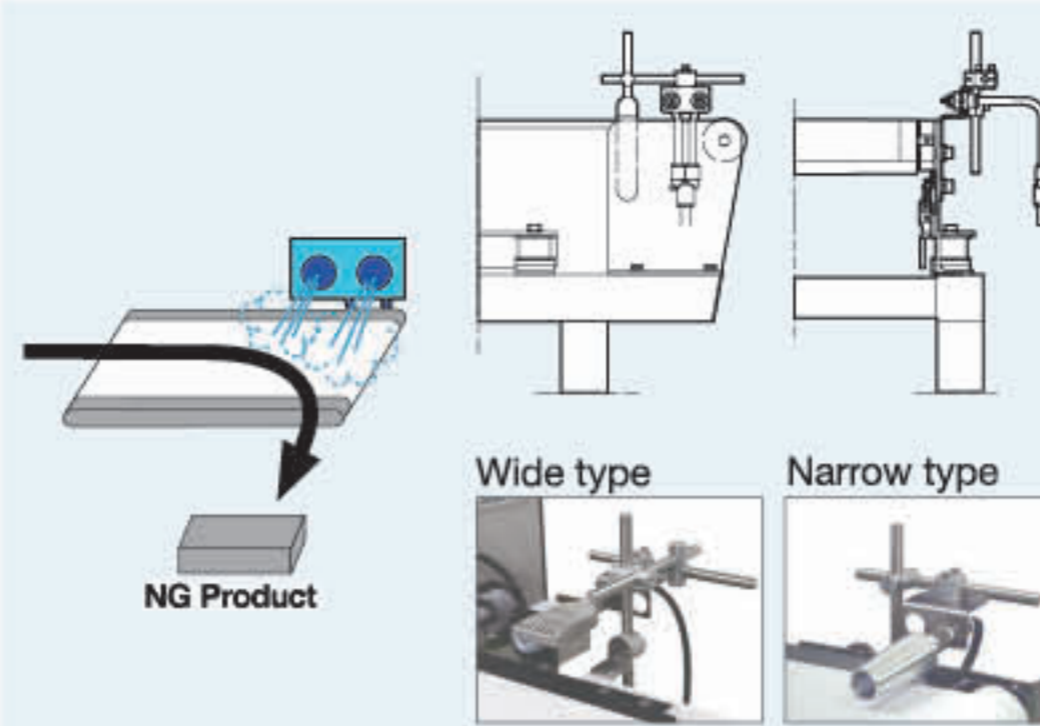
→See the circular type

## ◆ Example of transfer system

Belt conveyor type	Chute type	Natural drop type
<p>Standard type      Trough type (spill prevention)</p>		

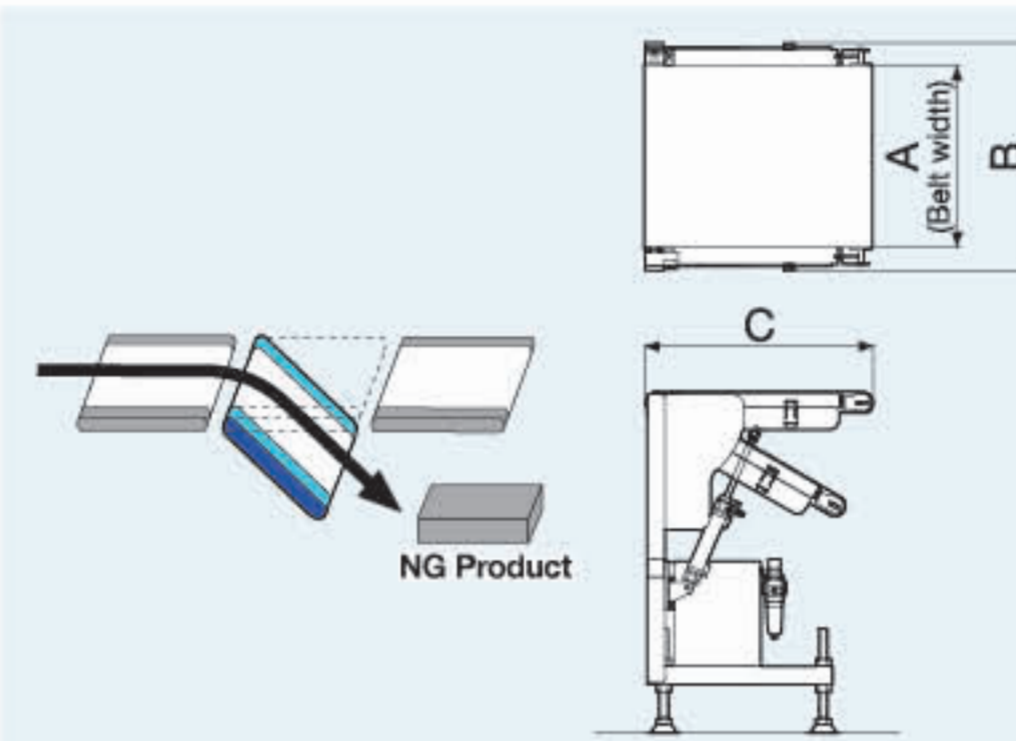
# Rejector

## Air jet system



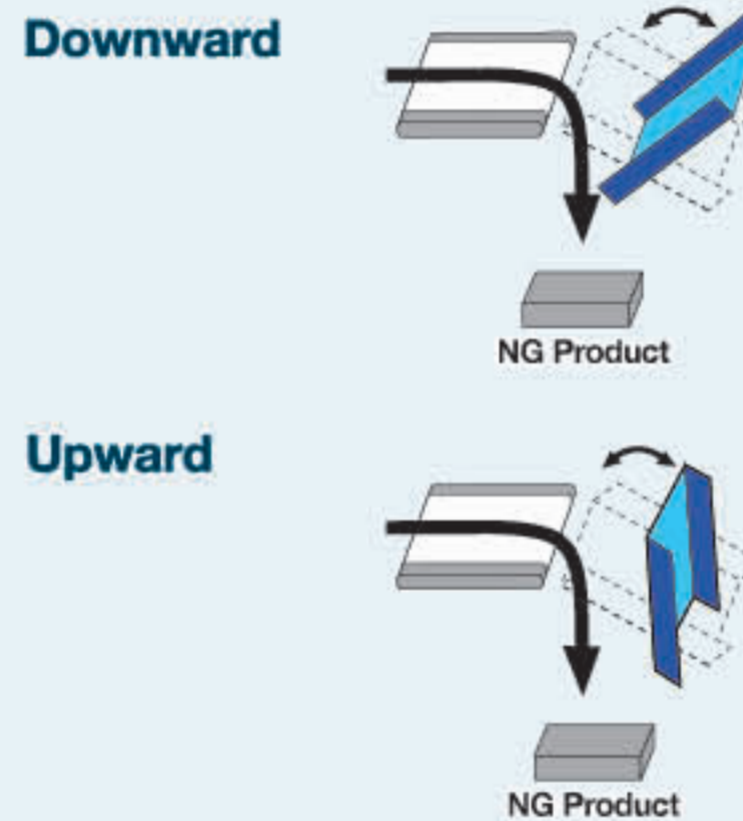
Model	AR
Sorting direction	Two-way
Air source	0.5-0.85Mpa
Air consumption	16L/time(ANR)
Weight	3kg

## Dropout system(Belt)



Model	DV250W	DV400BW	DV540BW
Sorting direction	Two-way		
Air source	0.5-0.7Mpa		
Air consumption	1.0L/time(ANR)		
Weight	22kg	28kg	37kg
A	250mm	400mm	540mm
B	350mm	540mm	730mm
C	350mm	500mm	650mm

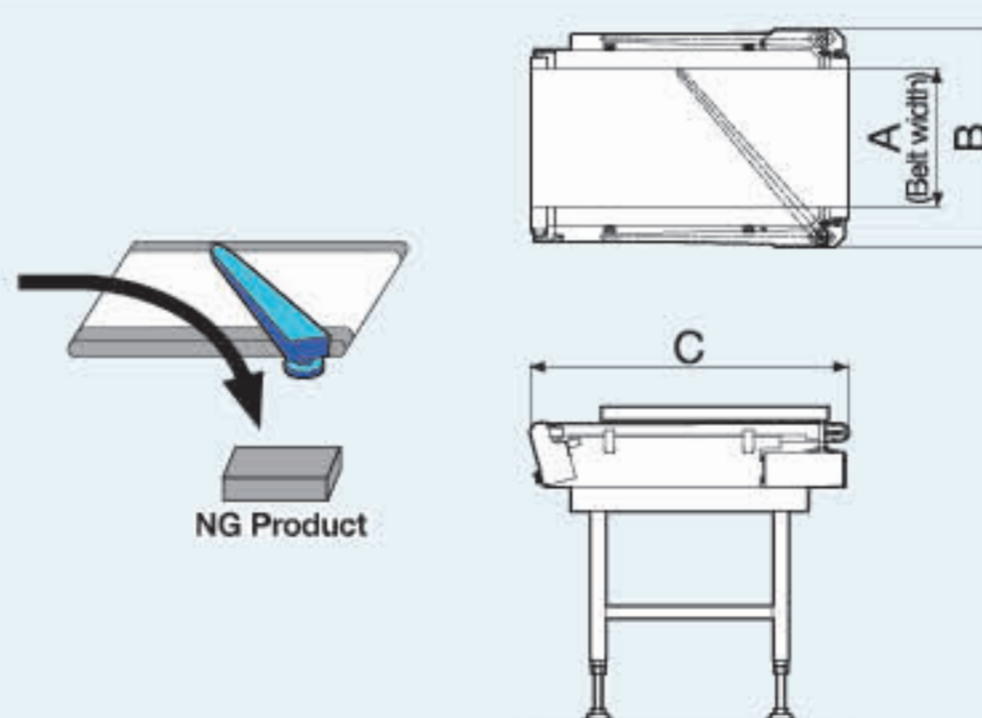
## Dropout system(Chute)



Model	DS220W	DS350W	DS500W
Sorting direction	Two-way		
Air source	0.5-0.7Mpa		
Air consumption	0.5L/time(ANR)		
Weight	7kg	8kg	10kg

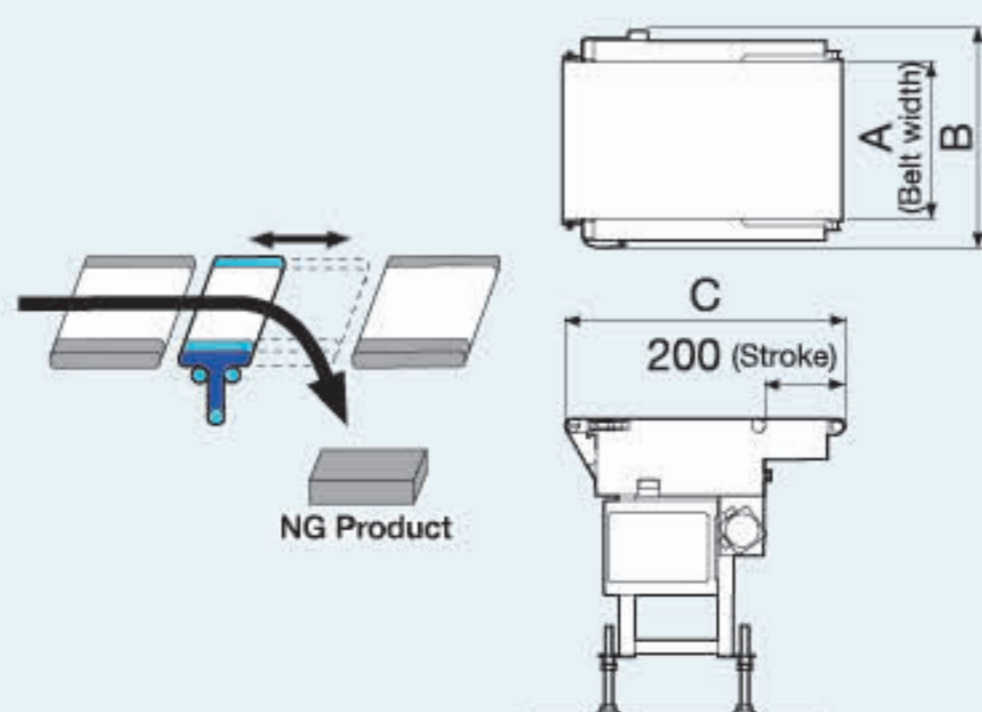
Model	US220W	US350W	US500W
Sorting direction	Two-way		
Air source	0.5-0.7Mpa		
Air consumption	0.5L/time(ANR)		
Weight	7kg	8kg	10kg

## Flipper system

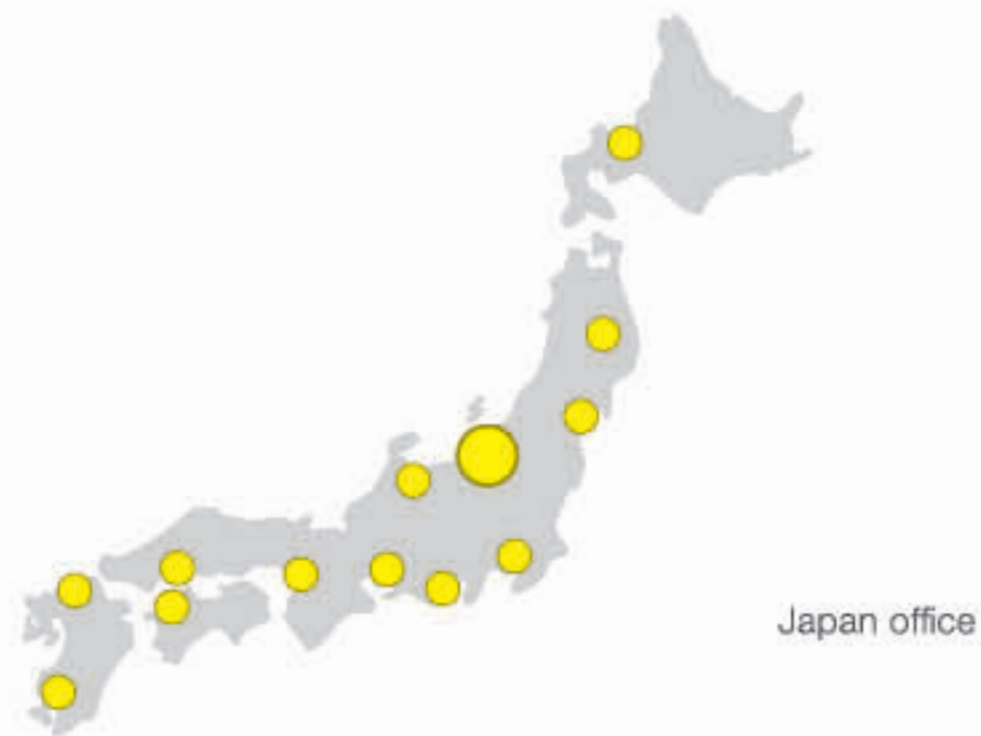


Model	FL220W	FL350W
Sorting direction	Two-way, Three-way	
Air source	0.5-0.7Mpa	
Air consumption	0.4L/time(ANR)	
Weight	37kg	70kg
A	220mm	350mm
B	400mm	550mm
C	700mm	800mm

## Shuttle conveyor



Model	SS250W	SS400W
Sorting direction	Two-way	
Air source	0.5-0.7Mpa	
Air consumption	2.8L/time(ANR)	
Weight	40kg	50kg
A	240mm	390mm
B	393mm	543mm
C	700mm	



Japan office



Group company, Distributor

For more information, contact our nearest dealer.



Head Office / Head Plant  
157 Kanawa, Kitamachi, Nagaoka, Niigata, 940-2121 Japan  
TEL:+81-258-47-1377 FAX:+81-258-47-0161

Group company  
SYSTEM SQUARE EUROPE GmbH (Germany)

Distributor  
28 countries

<https://www.system-square.com/en/>



The contents of the specifications are subject to change without prior notice due to continual improvement.