

X-ray Inspection System

with a new X-ray sensor

SX2-2554HW / SX2-4074HW

NEW

XrayHawk

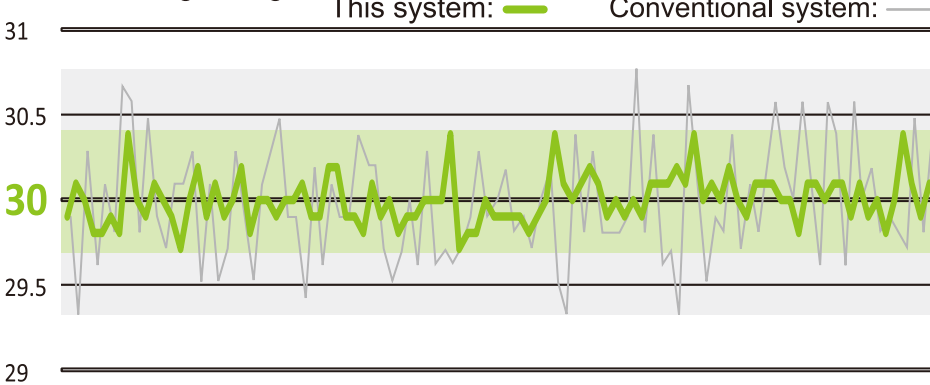


New X-ray Sensor

Relative mass inspection with high stability

Stable relative mass inspection achieved even with high-speed transportation!

Comparison of dispersion in a relative mass inspection
Reference weight: 30g



Sample product to be inspected
Dressing in a small bag



Applications

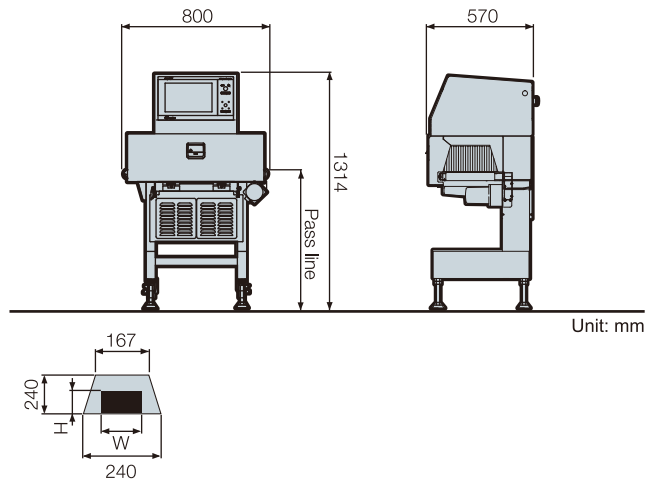
A lightweight and large number of products such as individually-packaged ones. You can stably make a high-speed relative mass inspection which cannot be made with the Auto Checker. Furthermore, you can run the system with the X-ray output suppressed to save the energy.

Features

Inspections of “foreign objects”, “relative mass”, and “shape” can be made simultaneously. A model with the new X-ray sensor. Stable relative mass inspection is achieved compared with the conventional model SX2554W. Stable mass inspection is available even with high processing speed.

【Dimensional Drawings and Specifications】

SX2-2554HW

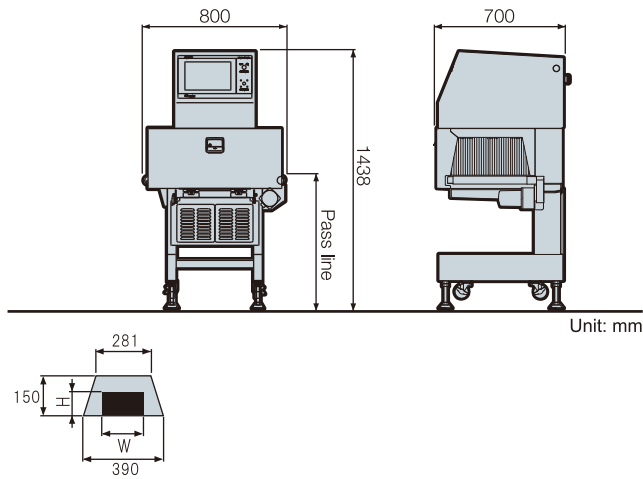


Unit: mm

【Inspectable range】

H	120	110	100	90	80	70	60	50	40	30	20	10	0
W	167	171	179	185	191	197	204	210	216	222	228	234	240

SX2-4074HW



Unit: mm

【Inspectable range】

H	150	140	130	120	110	100	90	80	70	60	50	40	30	20	10	0
W	281	288	295	303	310	317	324	332	339	346	354	361	368	375	383	390

Model	SX2-2554HW	SX2-4074HW
Dimension of inspection product *1	Maximum passage width 240mm, Maximum passage height 120mm	Maximum passage width 390mm, Maximum passage height 150mm
Weight capacity	5kg *2	
Conveyor speed	15-45m/min *2	
Belt width	270mm (without meandering-less function) (270mm with meandering-less function is optional.)	420mm (without meandering-less function) (420mm with meandering-less function is optional.)
Detectable material	Iron or stainless-steel ball (Φ0.3mm), stone, glass, hard bone, high density plastic, etc. *3	
Display unit	15.6 inches-wide TFT color LCD (with touch panel)	
Structure	Main unit/Base: All stainless-steel (SUS304) Protection Grade: Main unit equivalent to IP66 *4	
Pass line	750±50mm	
Max. X-ray output	Tube voltage (Max.): 50kV, Tube current (Max.): 5.0mA (Max: 150W)	Tube voltage (Max.): 75kV, Tube current (Max.): 8.0mA (Max: 300W)
Operating environment	Temperature: 0 to 35°C, Humidity: 30 to 85%, No dew condensation is allowed. (It is necessary to clean the filter periodically.) *5	
Weight	160kg	240kg
Main power supply	AC100V±10%/AC200V±10%, 1.0kVA, 50/60Hz	AC100V±10%/AC200V±10%, 1.5kVA, 50/60Hz

*1 Products that pass the inspectable range will be scanned. *2 For other weight or conveyor speed, contact SYSTEM SQUARE INC. *3 The detection sensitivity may vary depending on the type of inspection product and the operating environment. *4 This waterproof standard may not apply when options are mounted. *5 When the operating environment temperature exceeds 35°C, contact SYSTEM SQUARE INC.

* The cover to prevent the X-ray leak may be required at the inlet and outlet according to the length of inspection product.

* Options may be required in case that installation place has large temperature change and (or) high humidity, item to be inspected is too cold or hot.

For more information, contact our office listed below.

The contents of the specifications are subject to change without prior notice due to continual improvement.